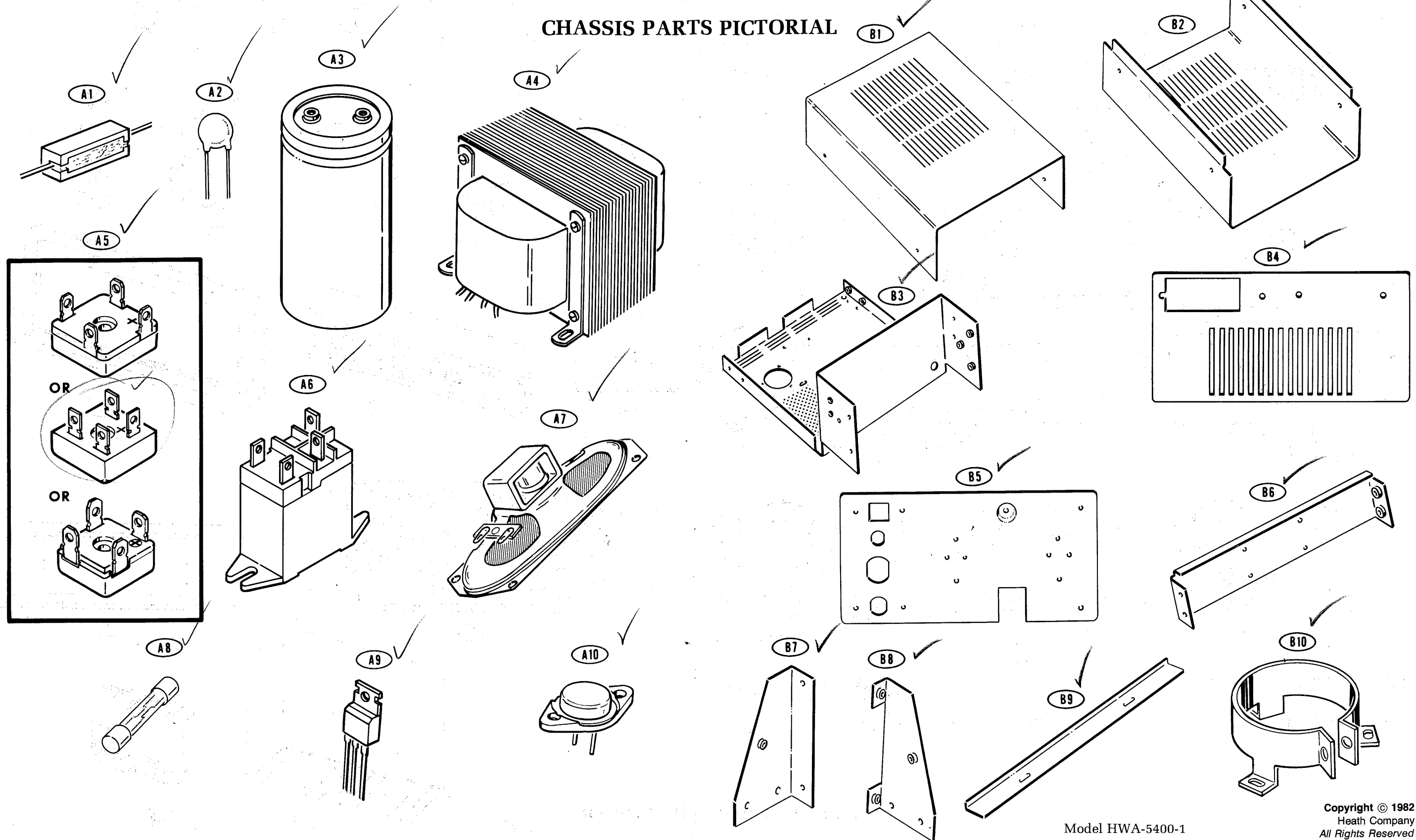


# ILLUSTRATION BOOKLET

## CHASSIS PARTS PICTORIAL

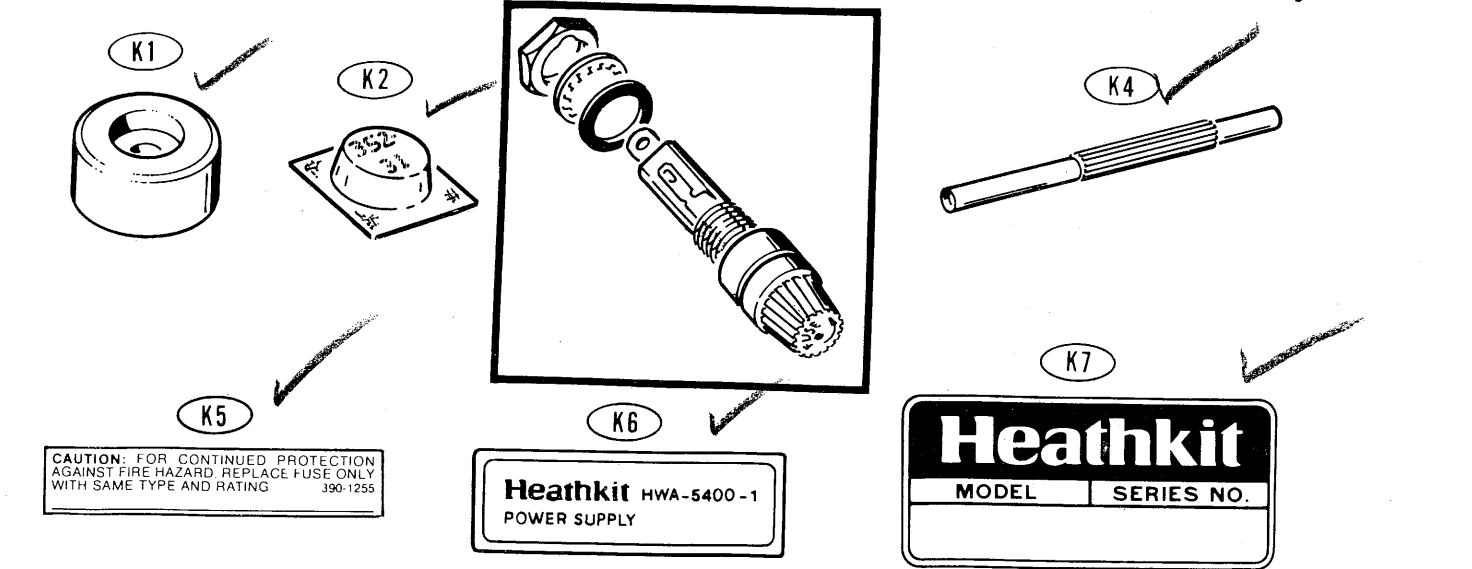
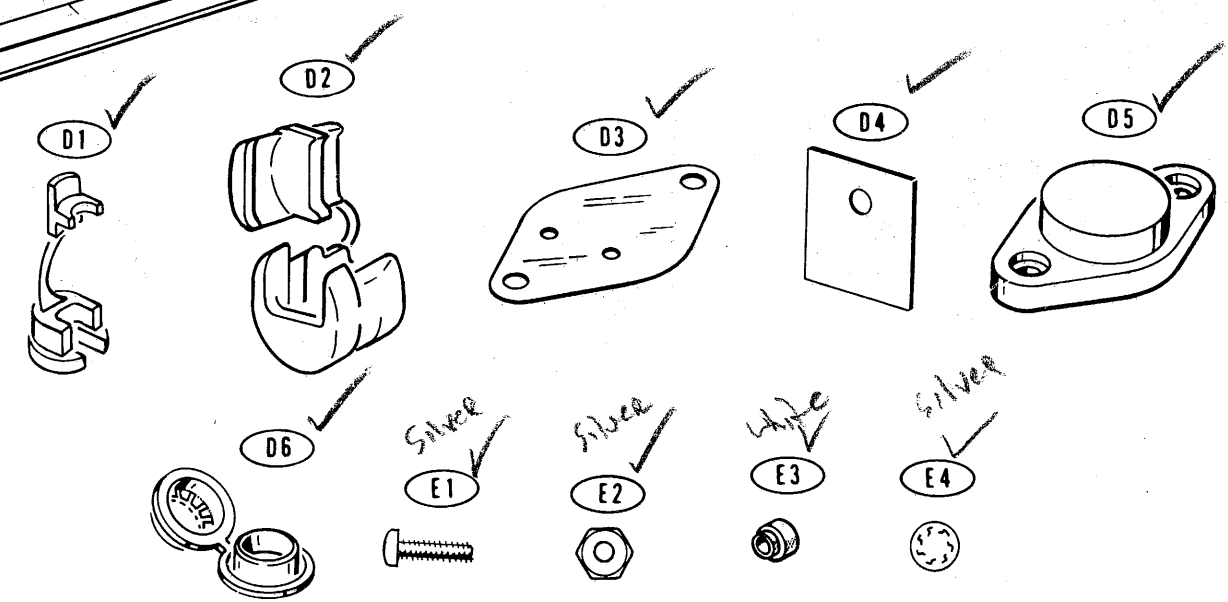
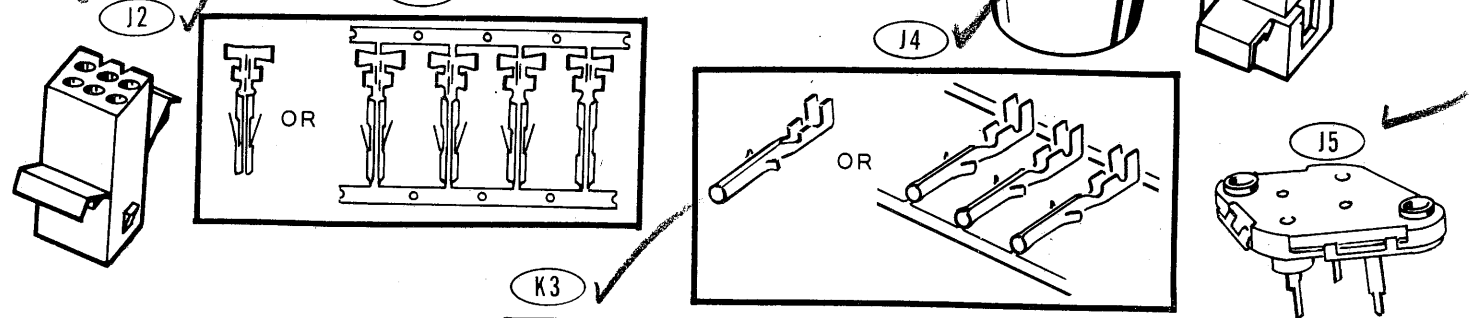
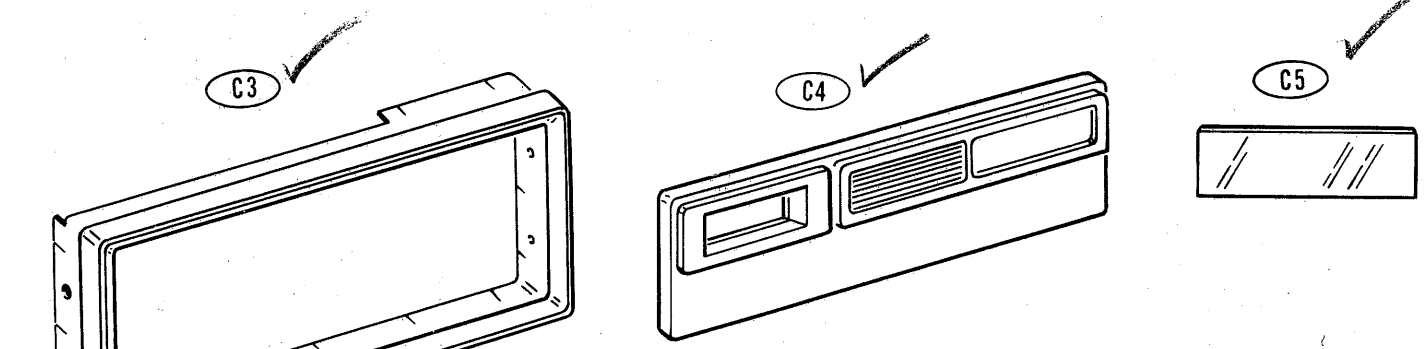
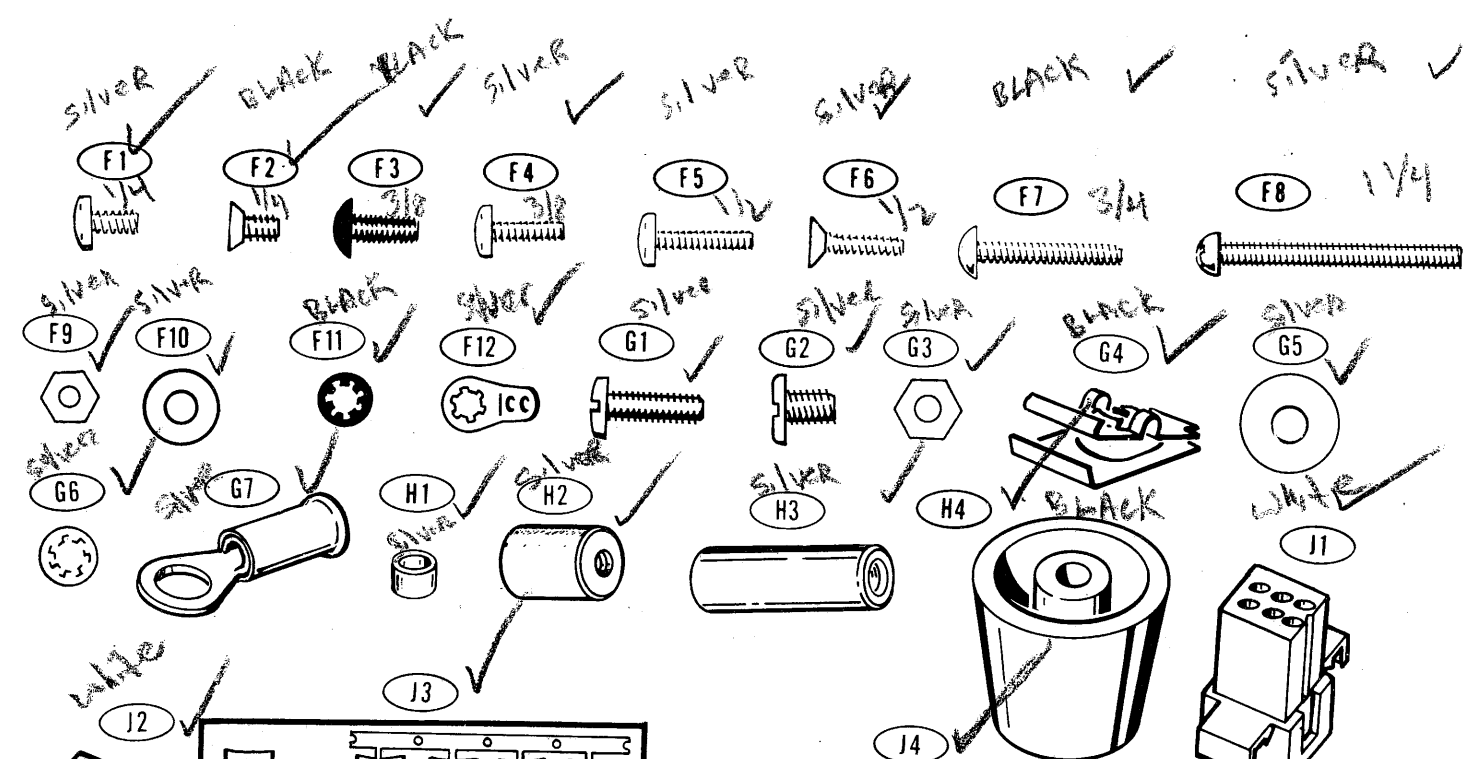
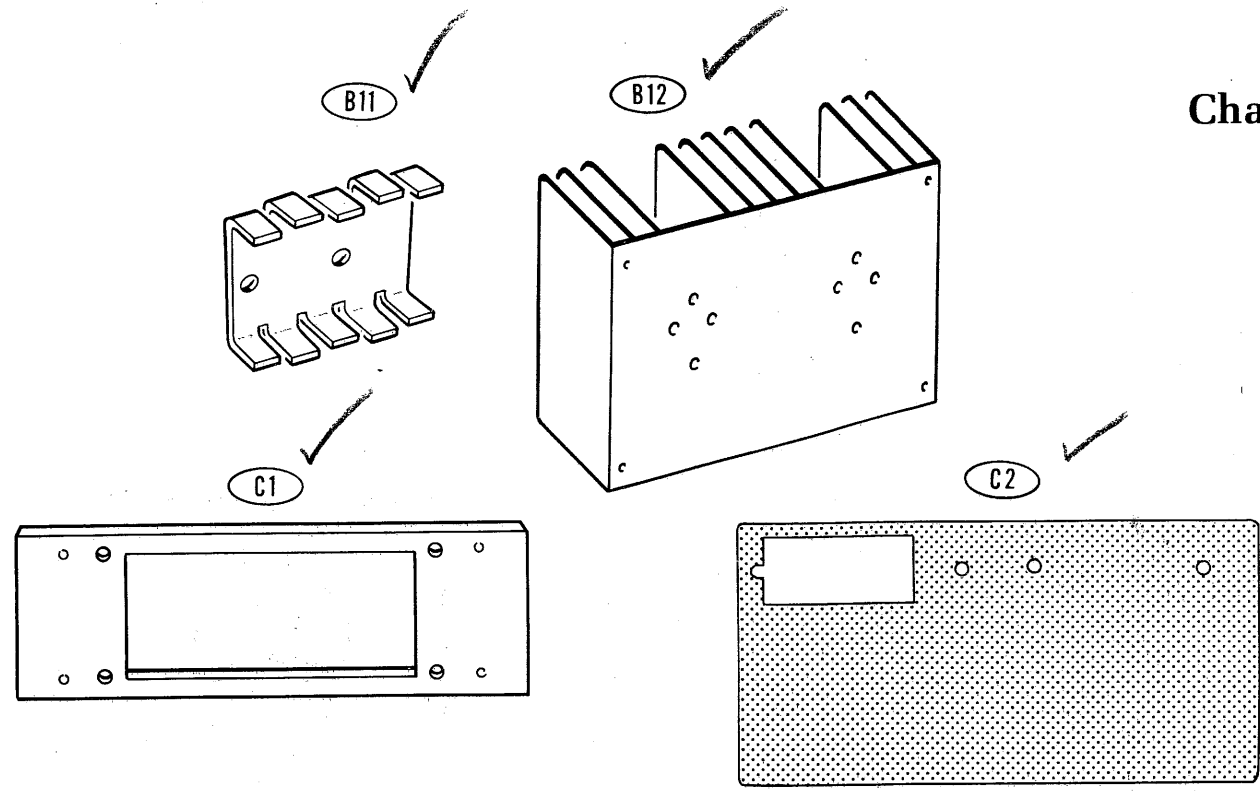
Part of 595-2856

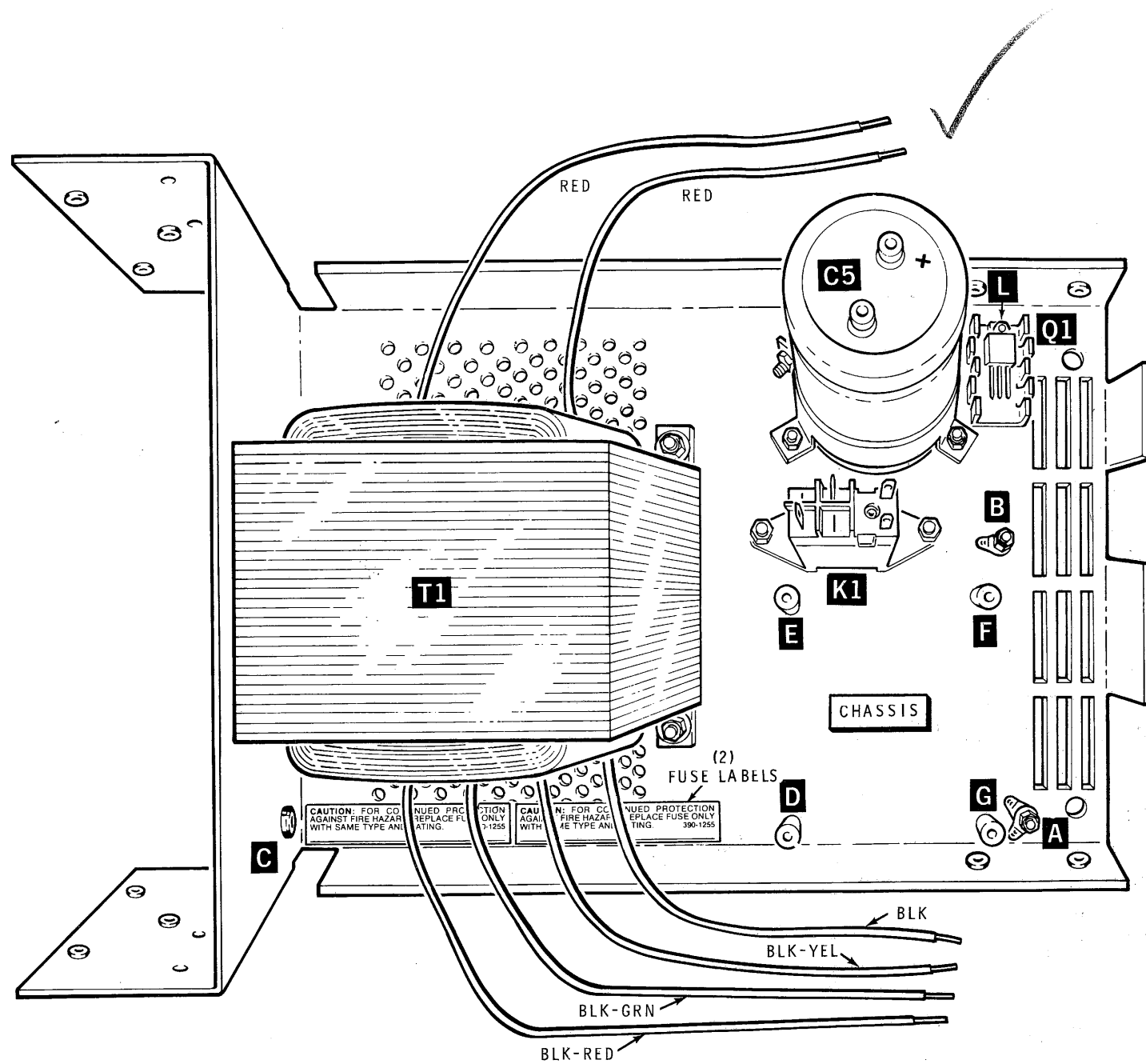


Model HWA-5400-1

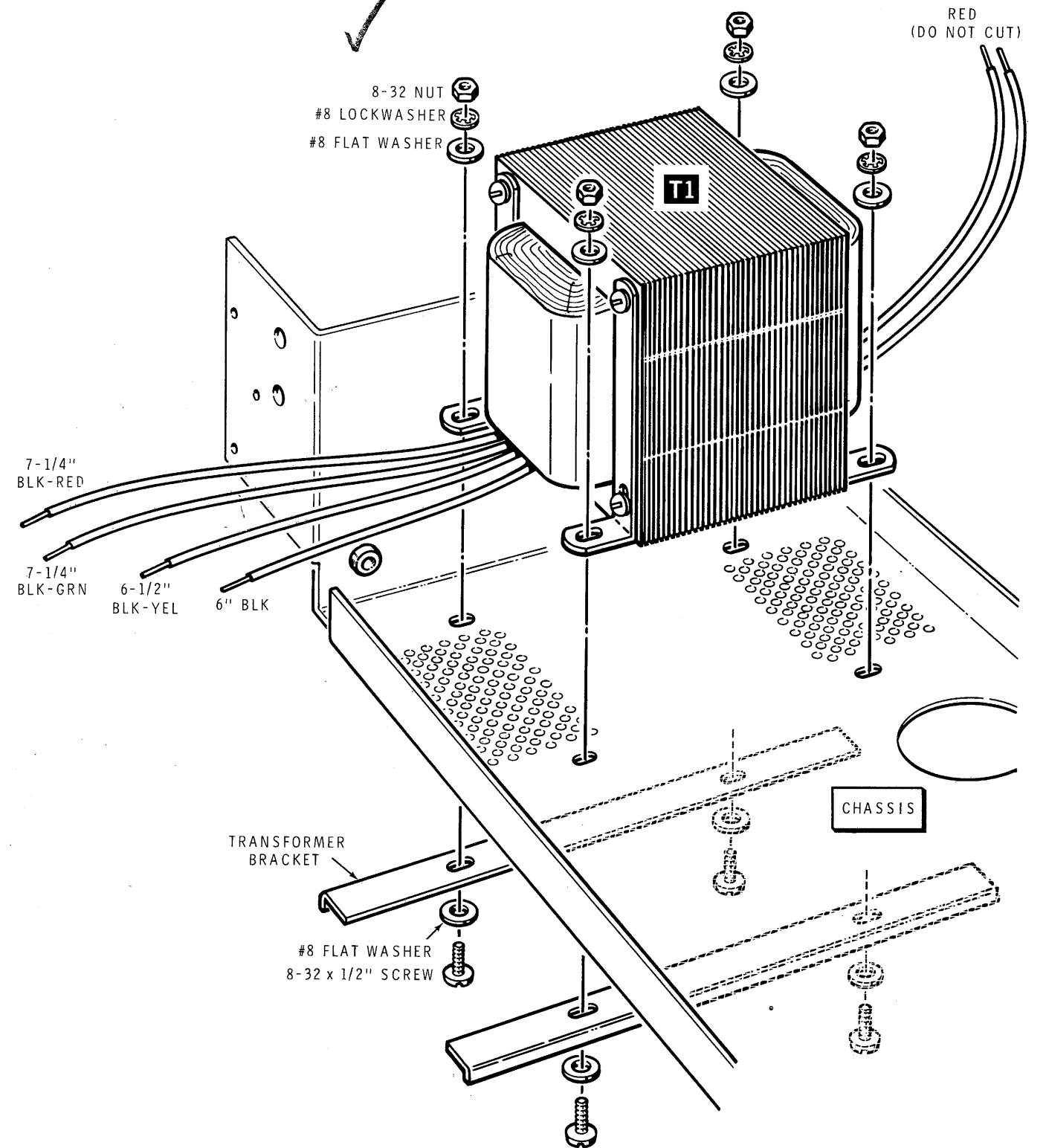
Copyright © 1982  
Heath Company  
All Rights Reserved  
Printed in the United States of America

# Chassis Parts Pictorial (Cont'd.)

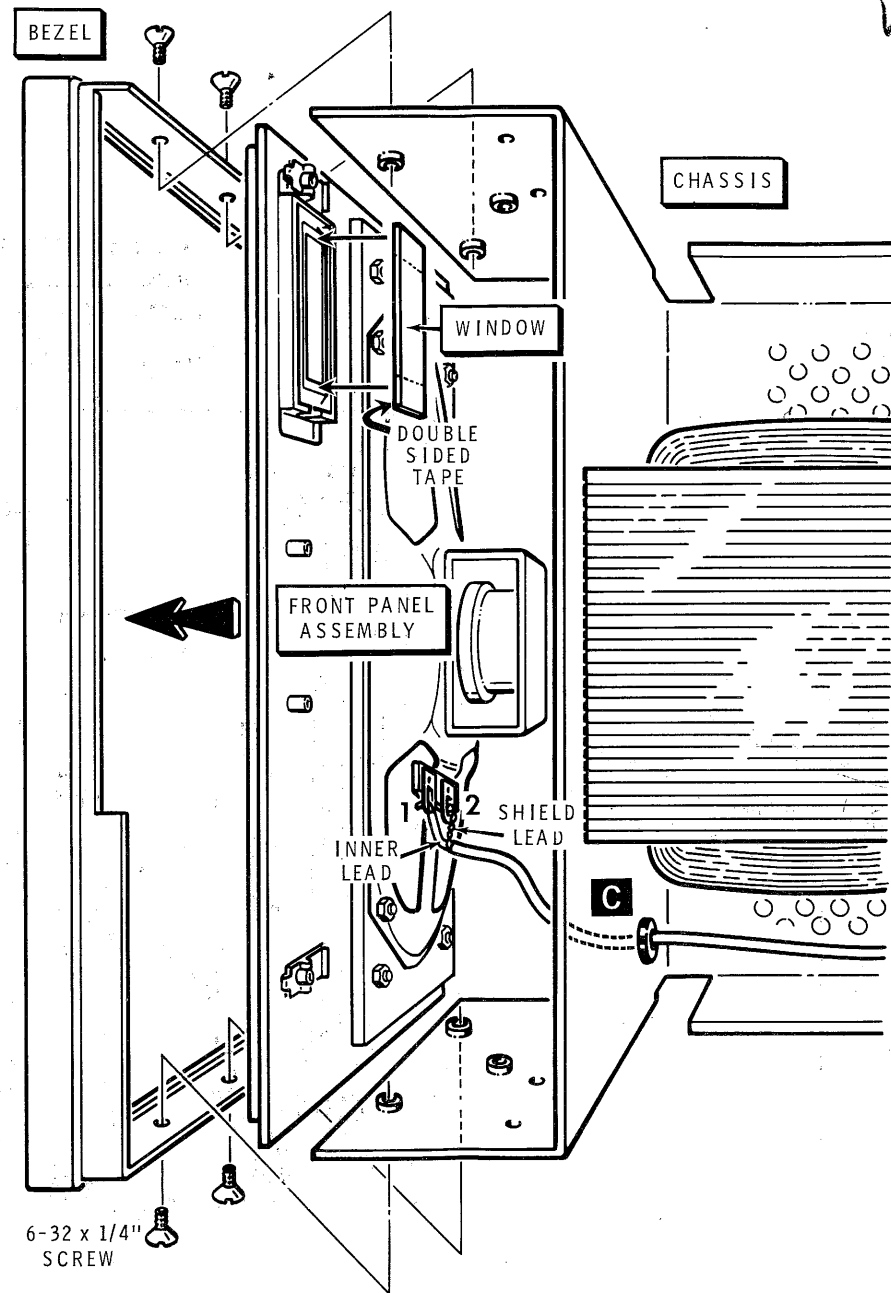




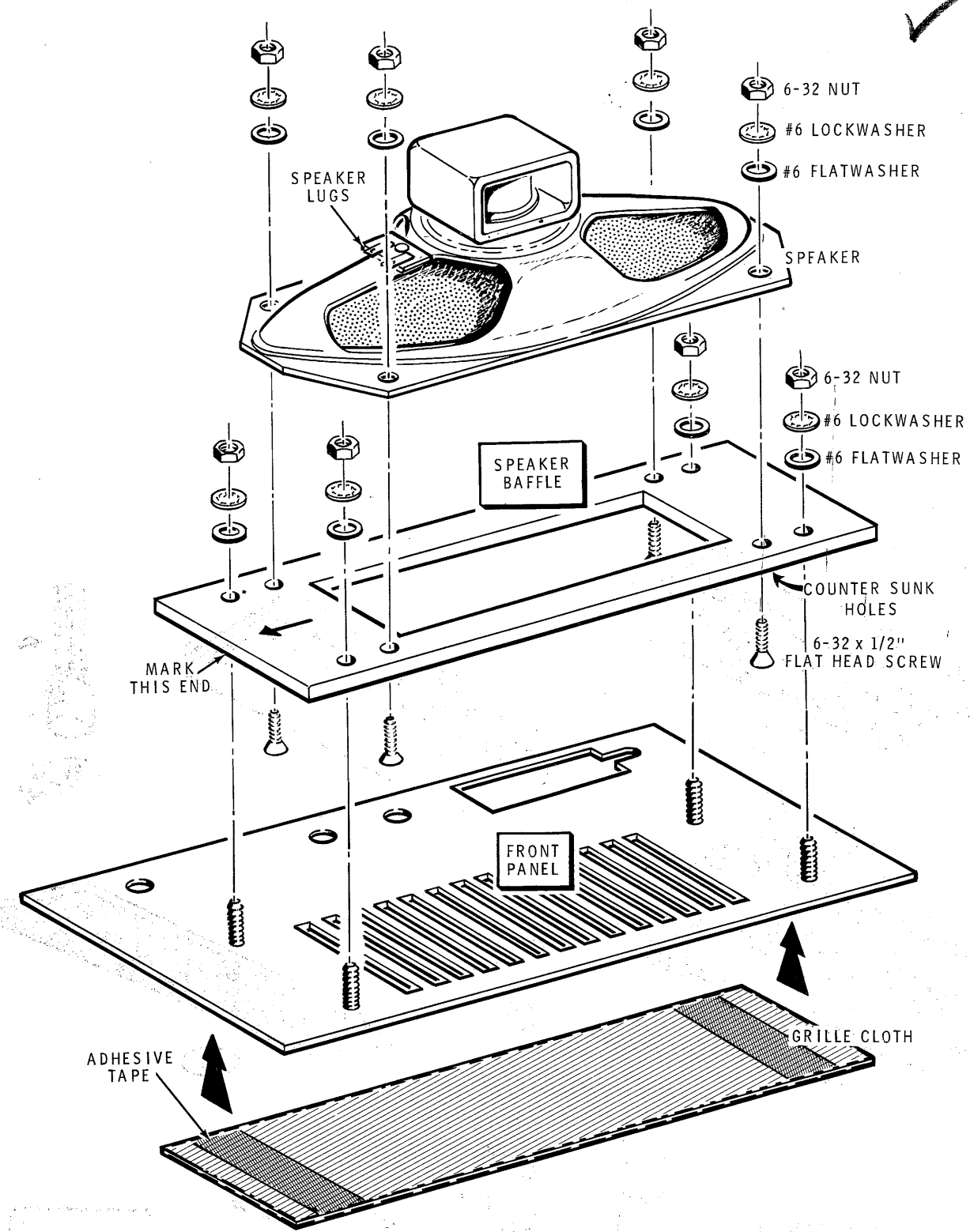
PICTORIAL 1-1



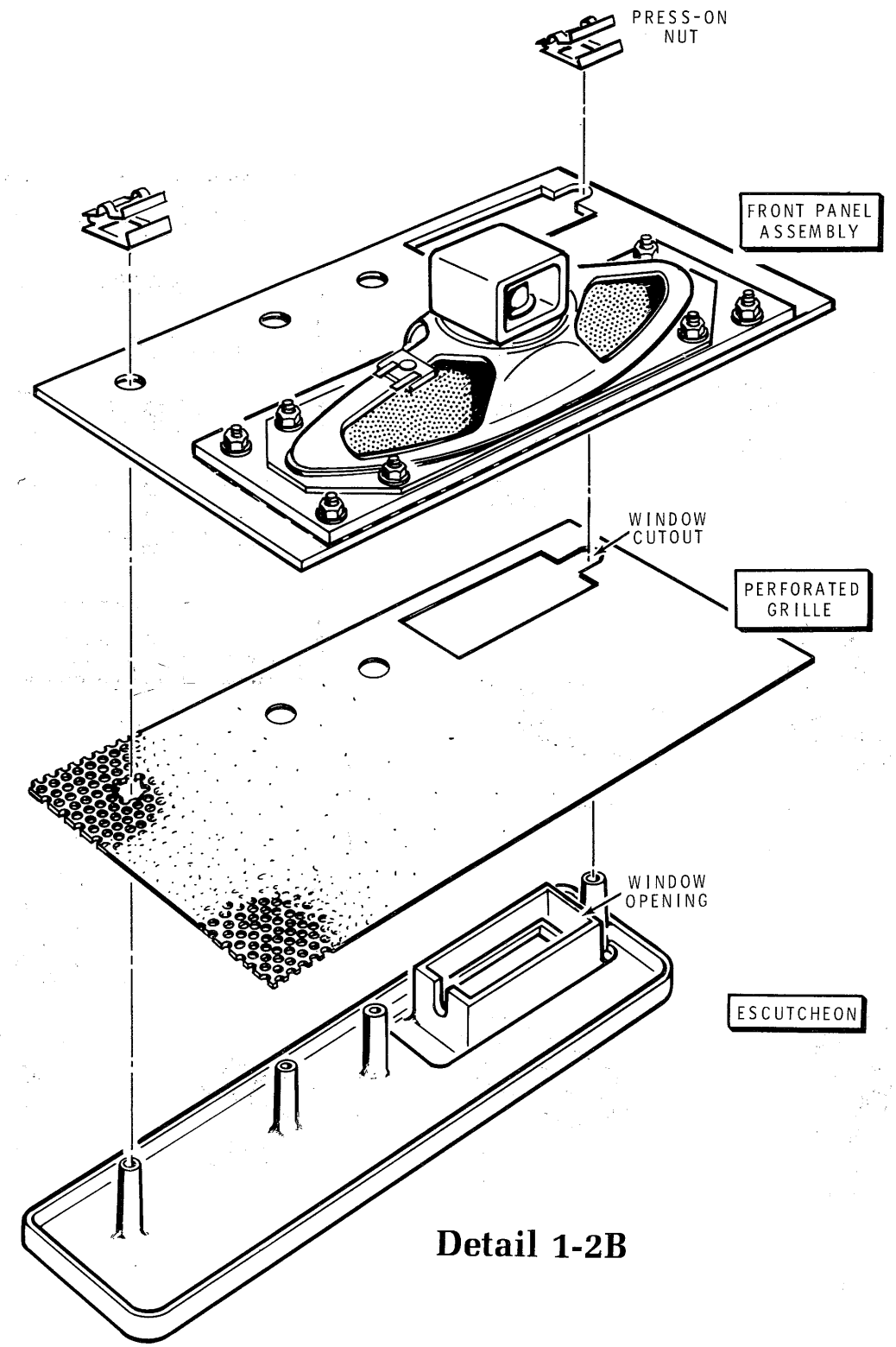
Detail 1-1G



PICTORIAL 1-2

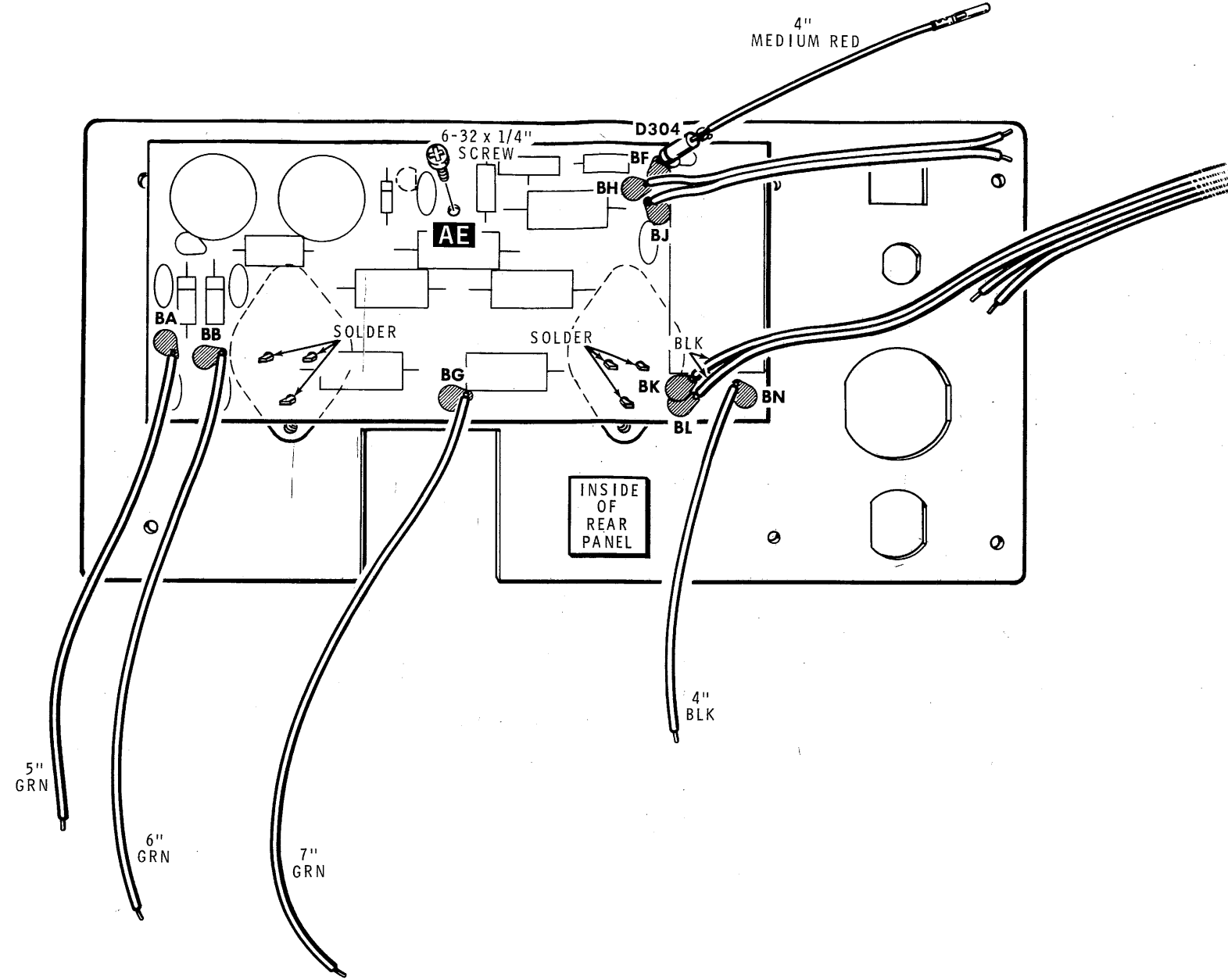


Detail 1-2A



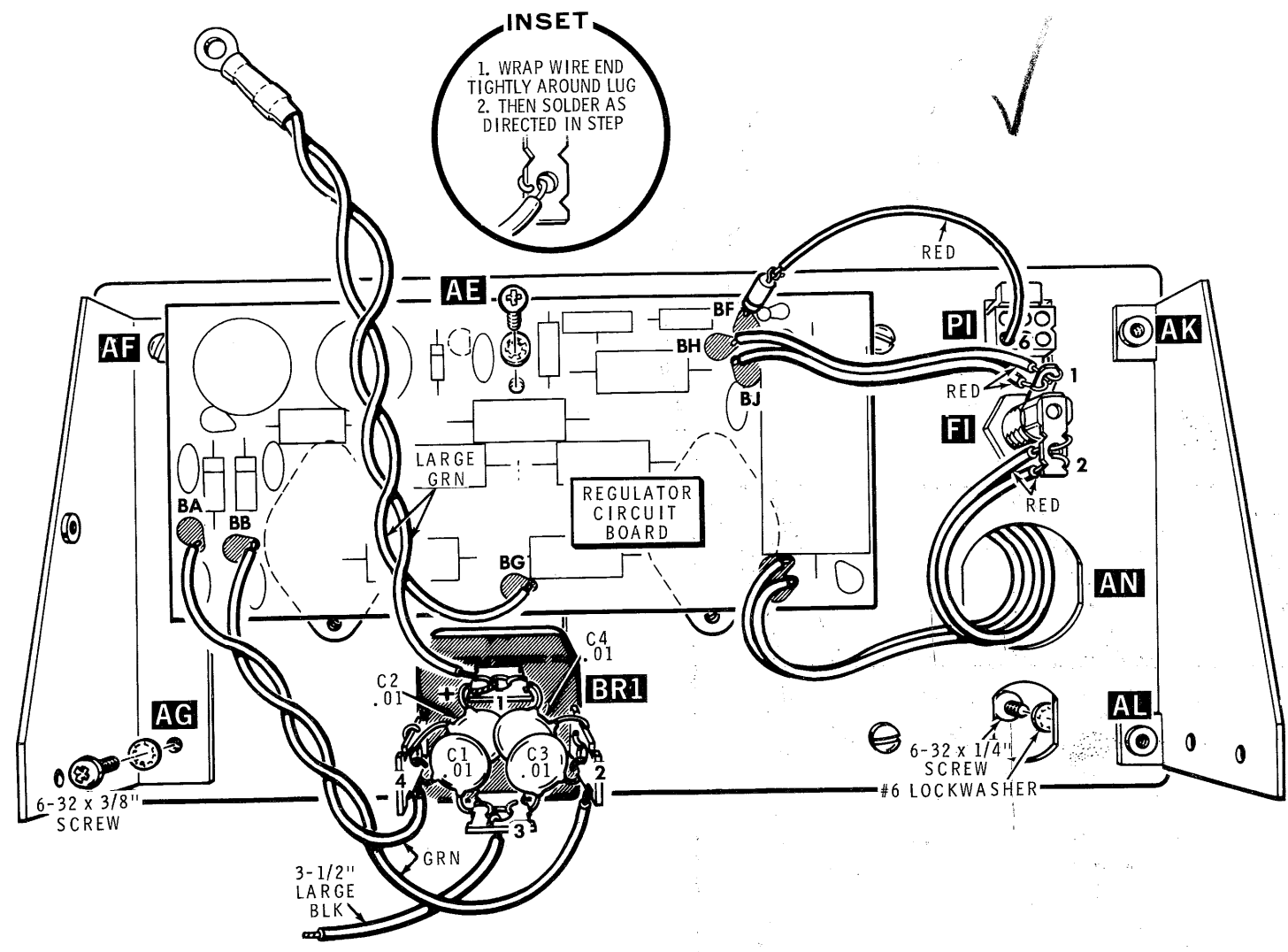
Detail 1-2B



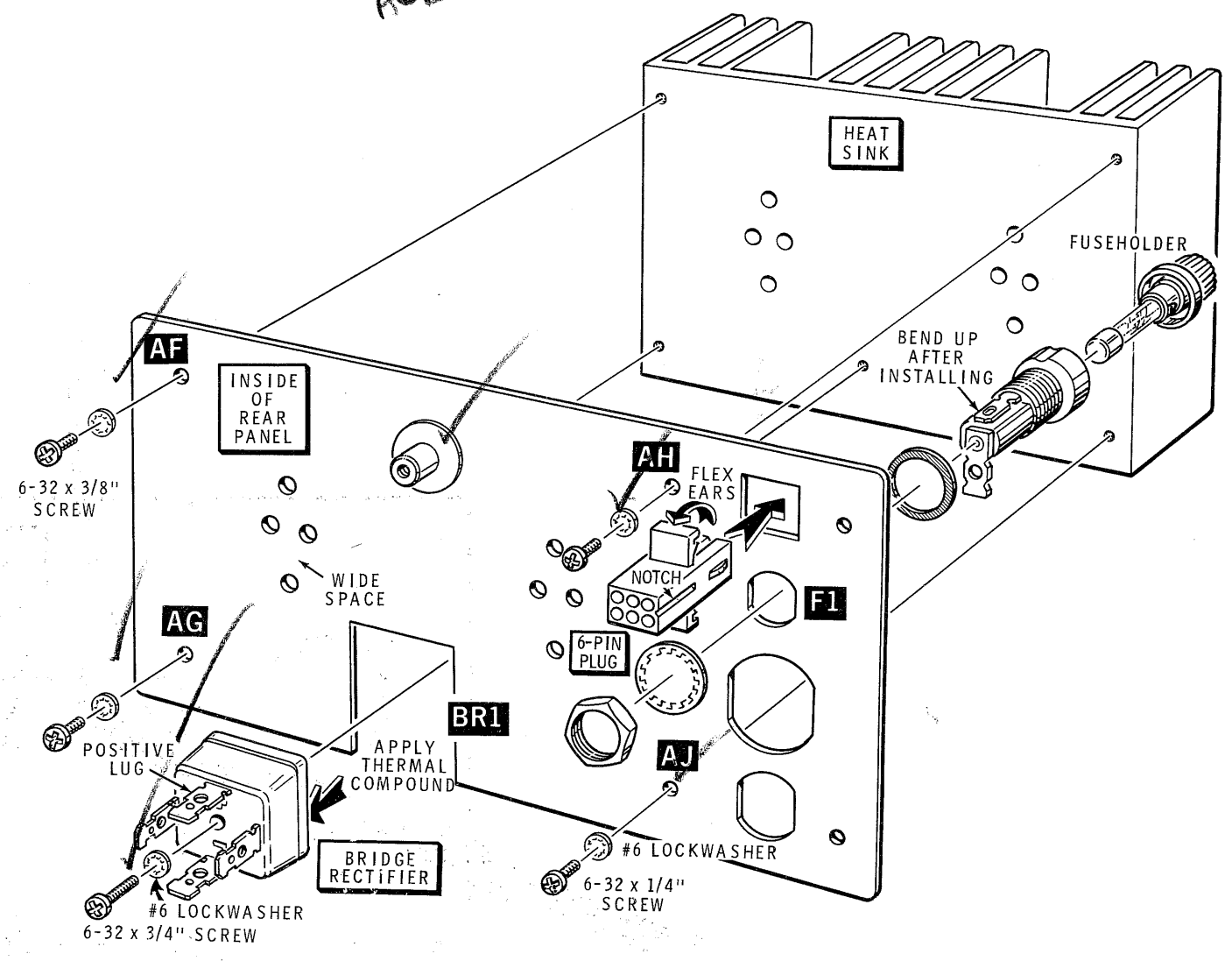


PICTORIAL 4-1

Handwritten note:  $\begin{matrix} + & - & | & AC \\ AC & | & | & - \end{matrix}$



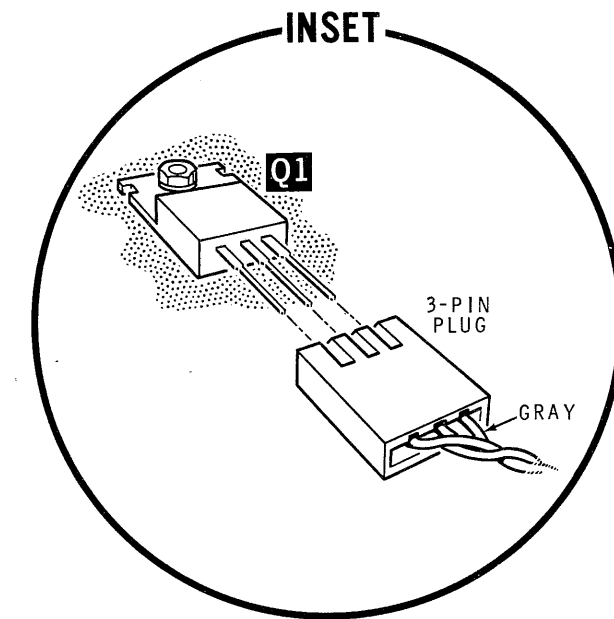
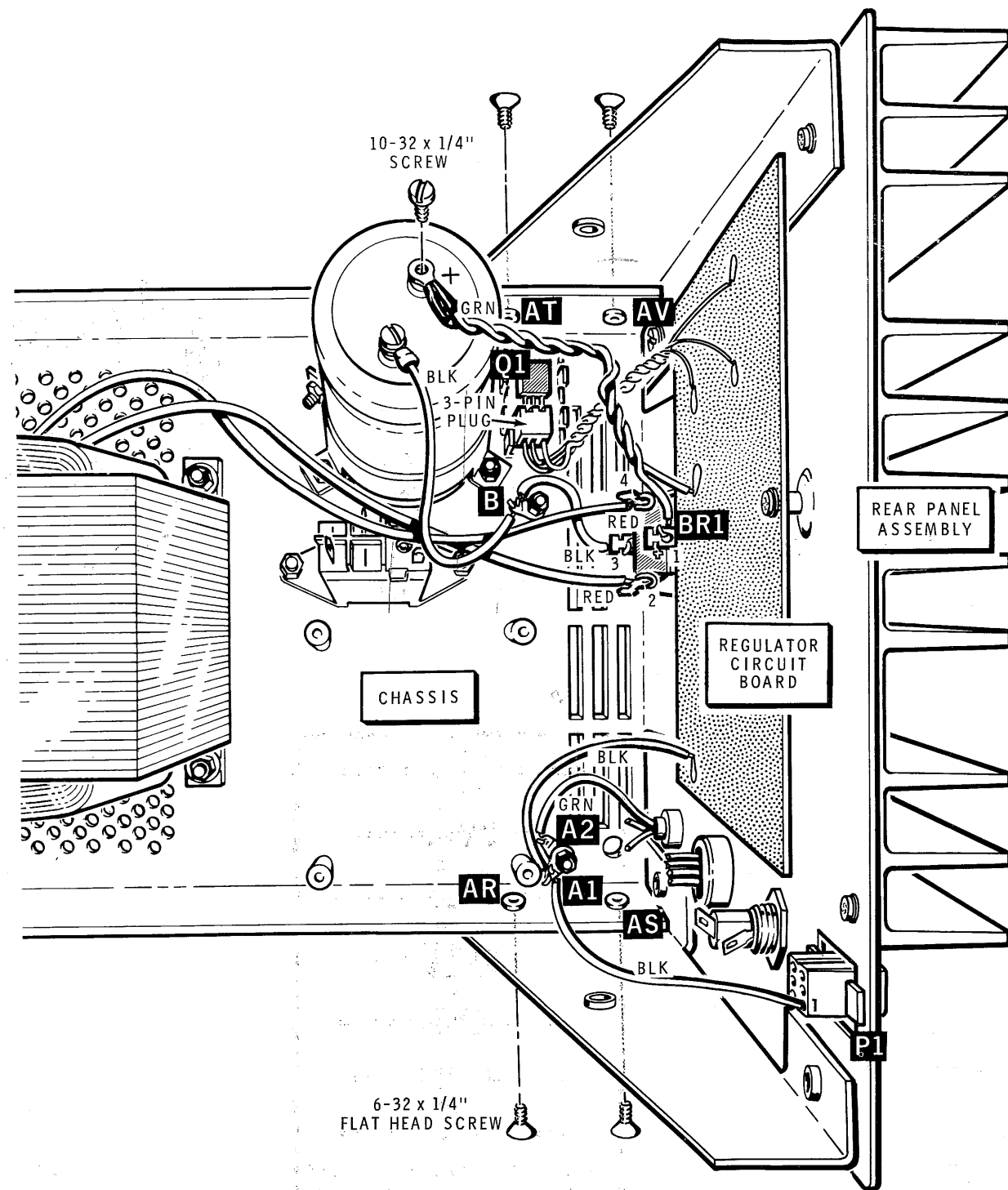
**INSET**  
 1. WRAP WIRE END TIGHTLY AROUND LUG  
 2. THEN SOLDER AS DIRECTED IN STEP



PICTORIAL 4-2

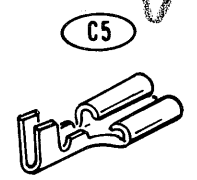
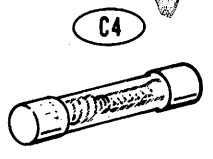
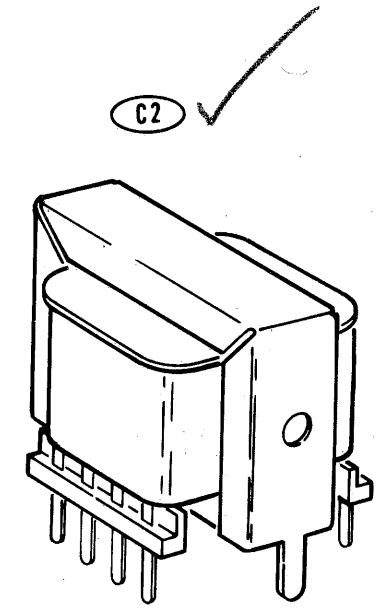
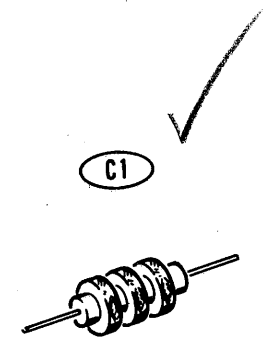
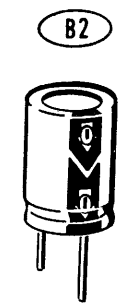
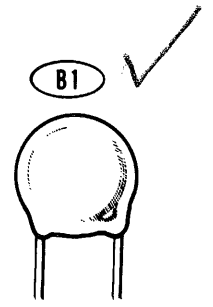
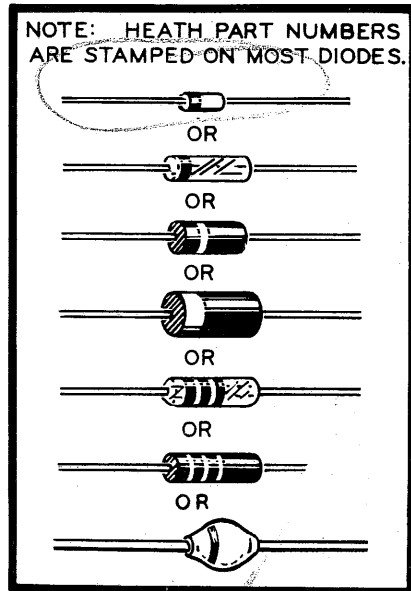
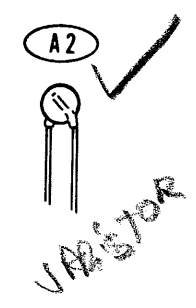
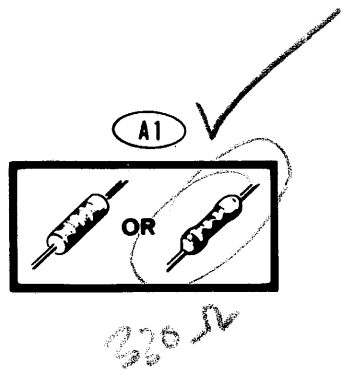
Detail 4-2A

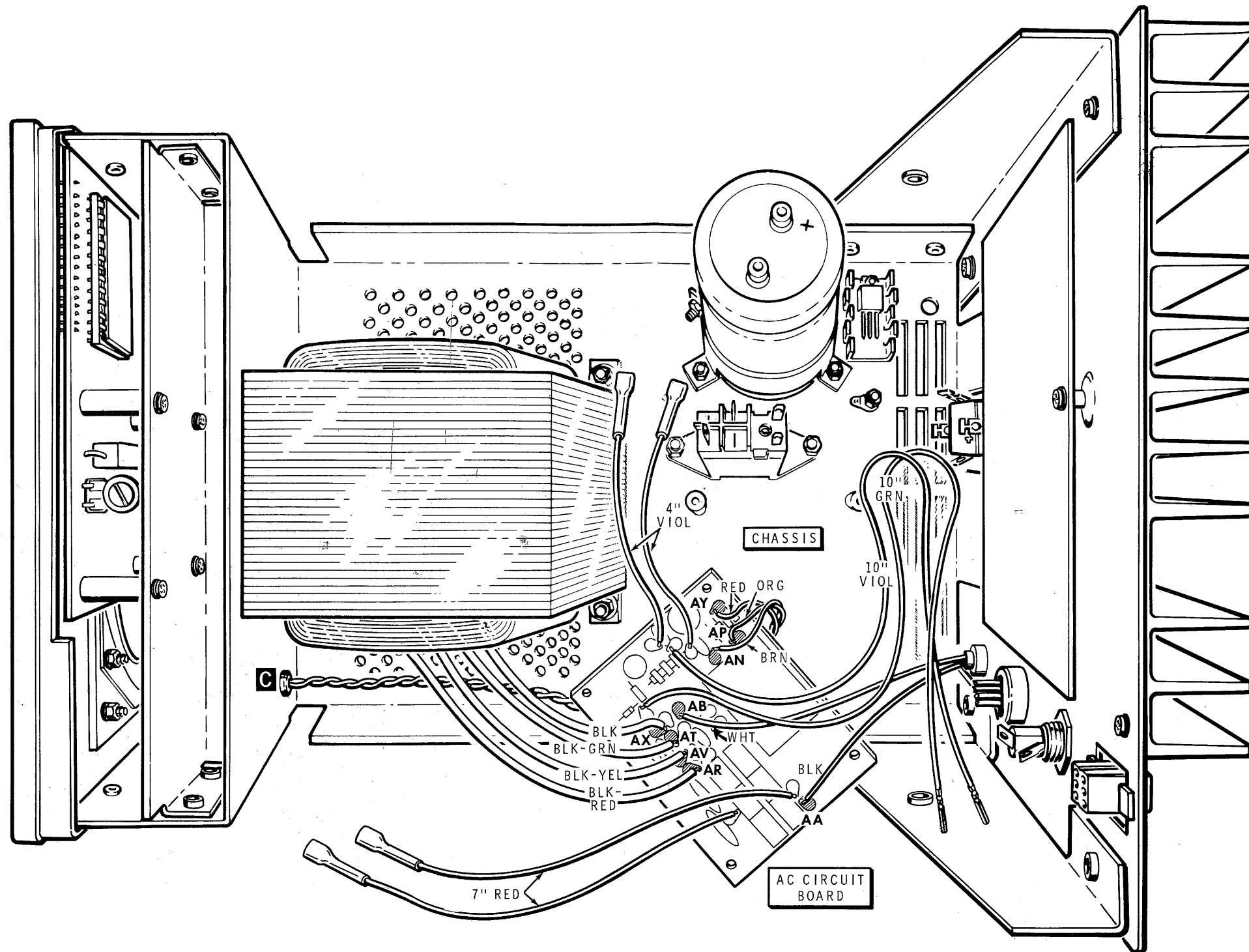




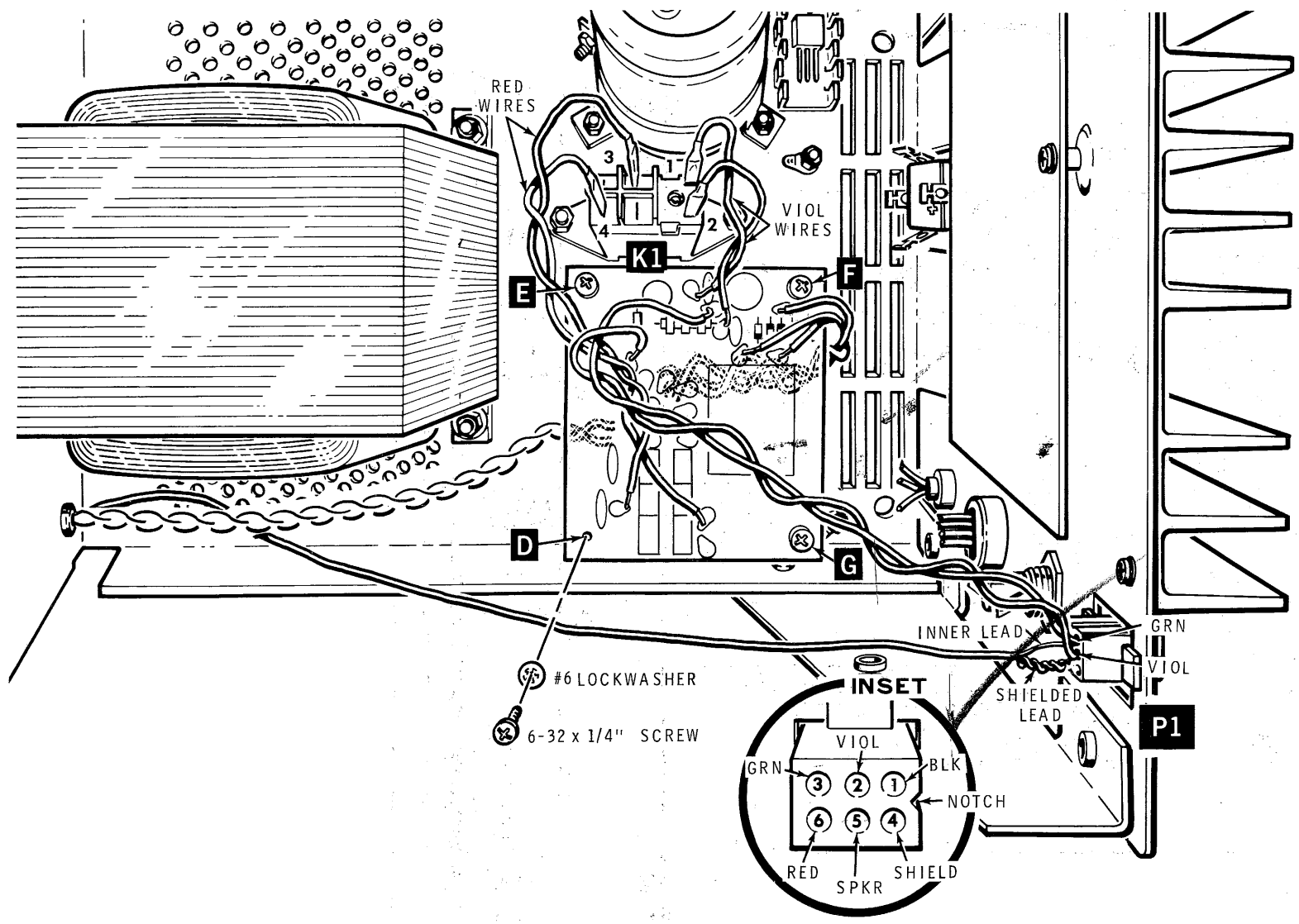
PICTORIAL 4-4

# AC CIRCUIT BOARD PARTS PICTORIAL

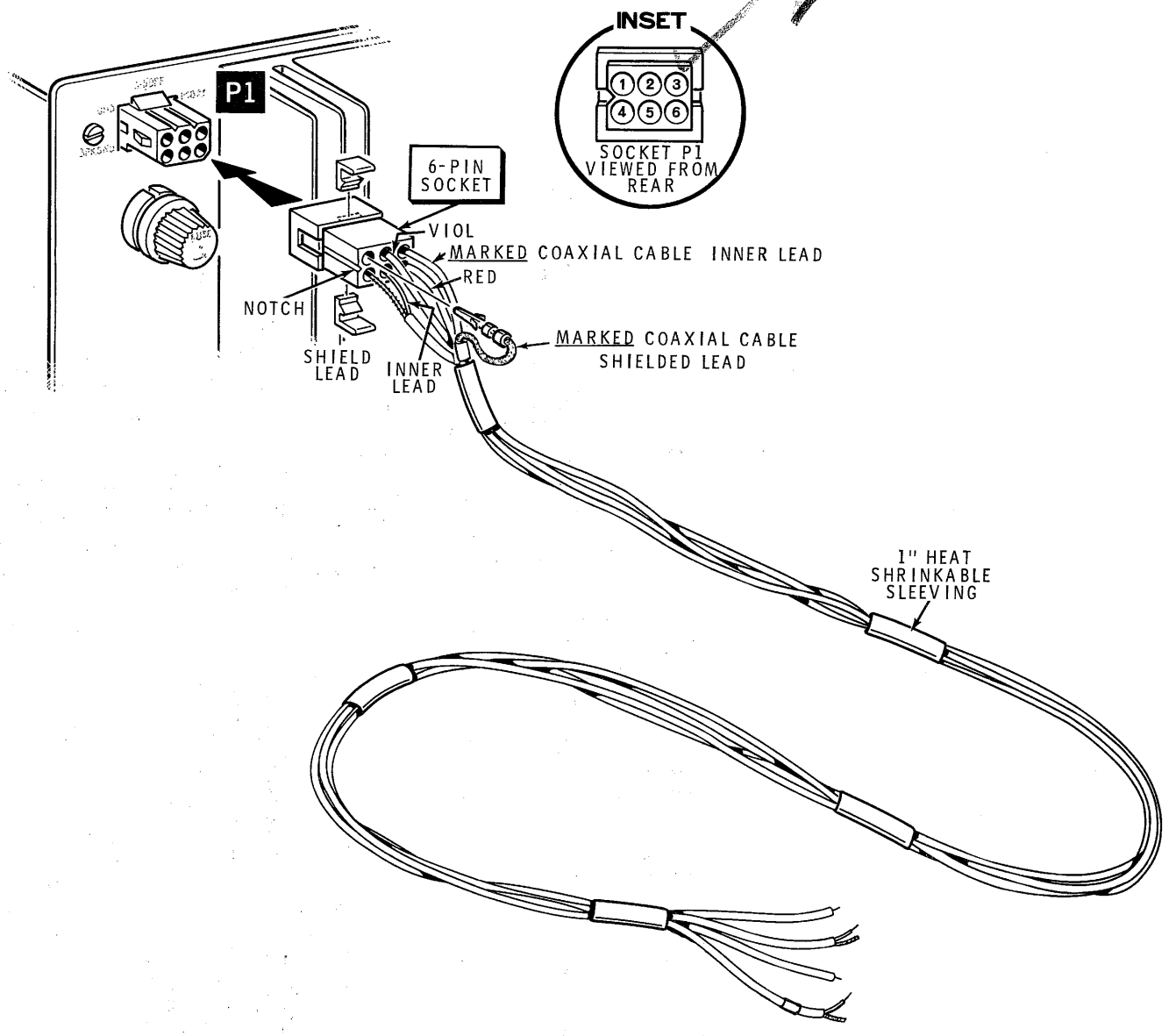




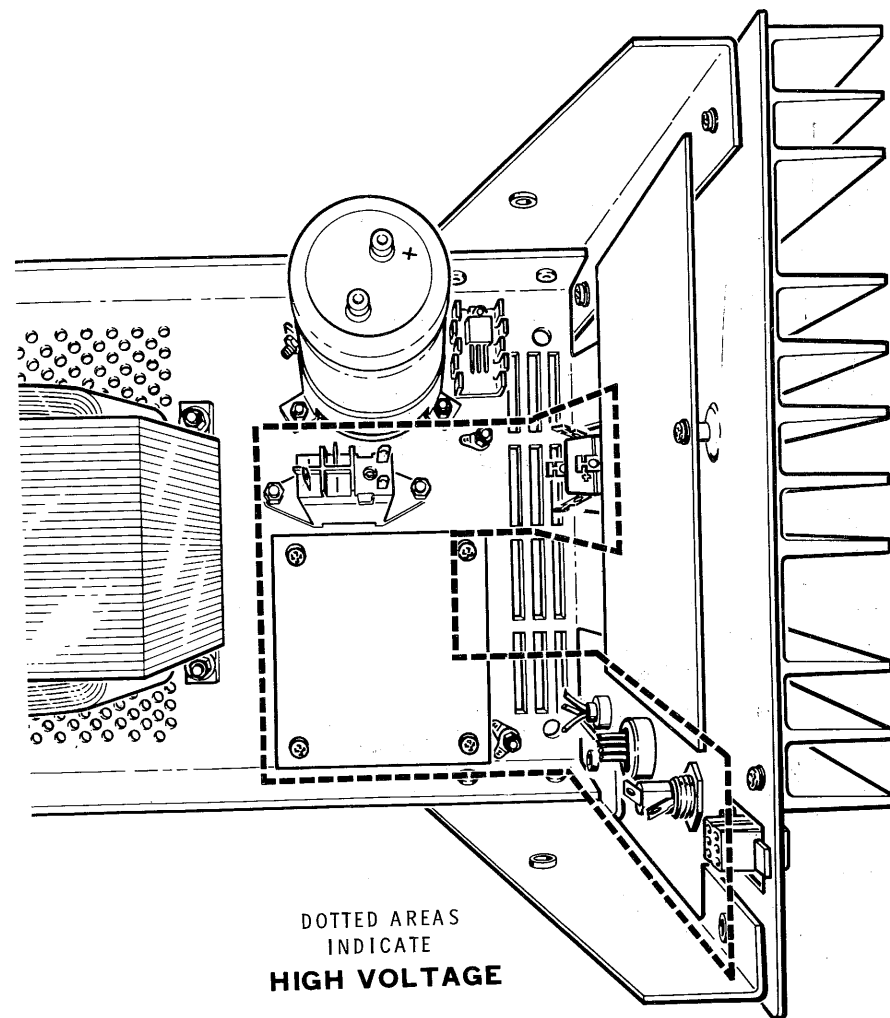
PICTORIAL 5-5



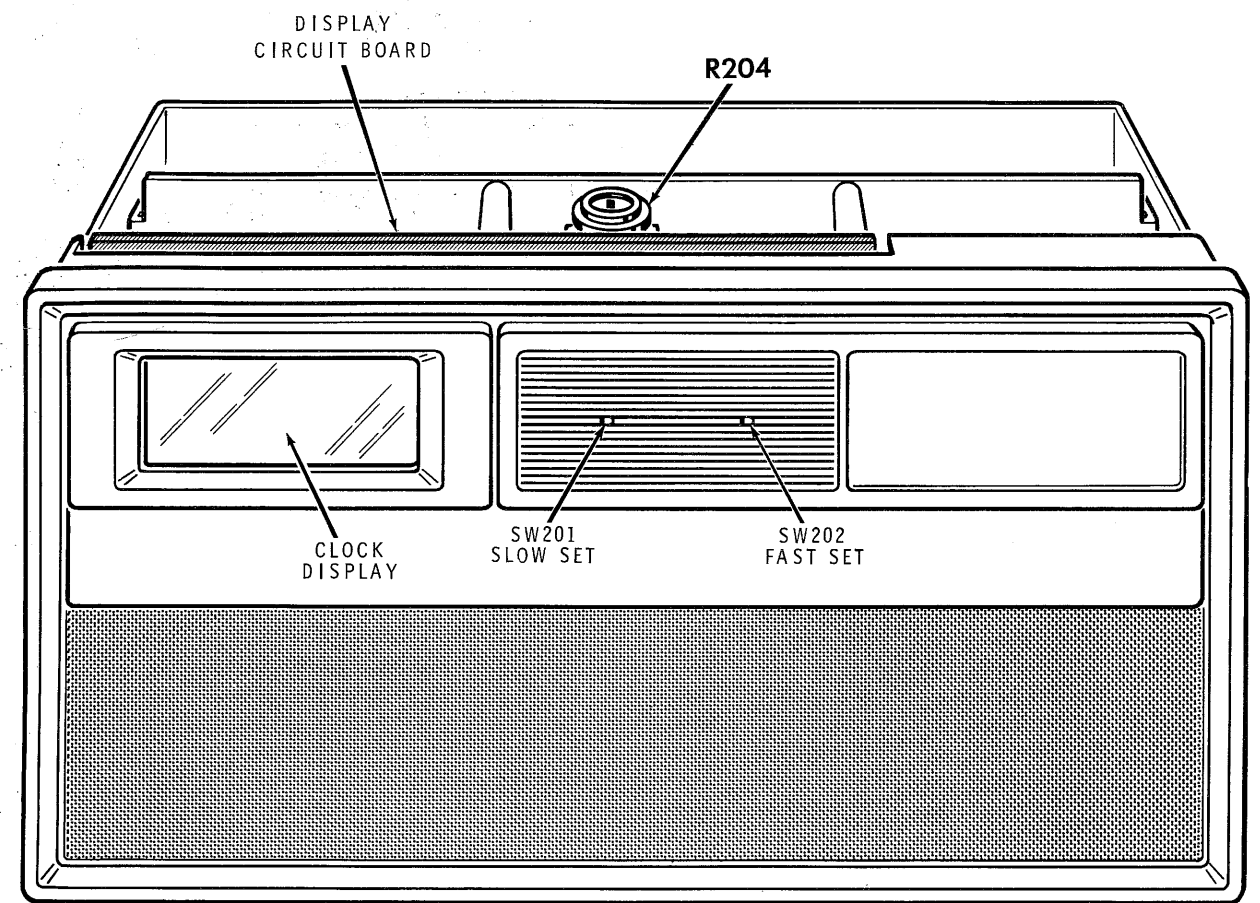
PICTORIAL 5-6



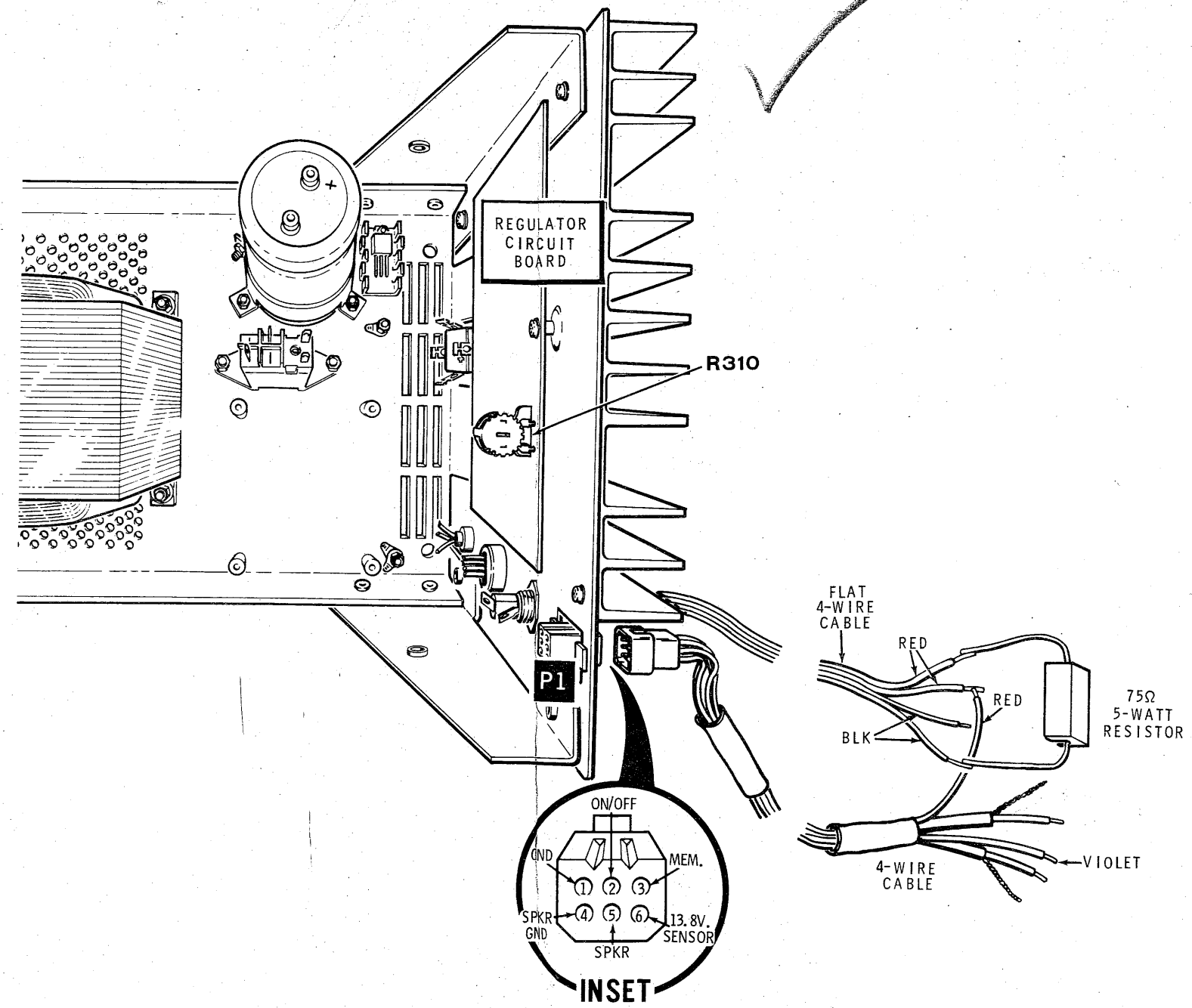
PICTORIAL 5-7



PICTORIAL 6-2

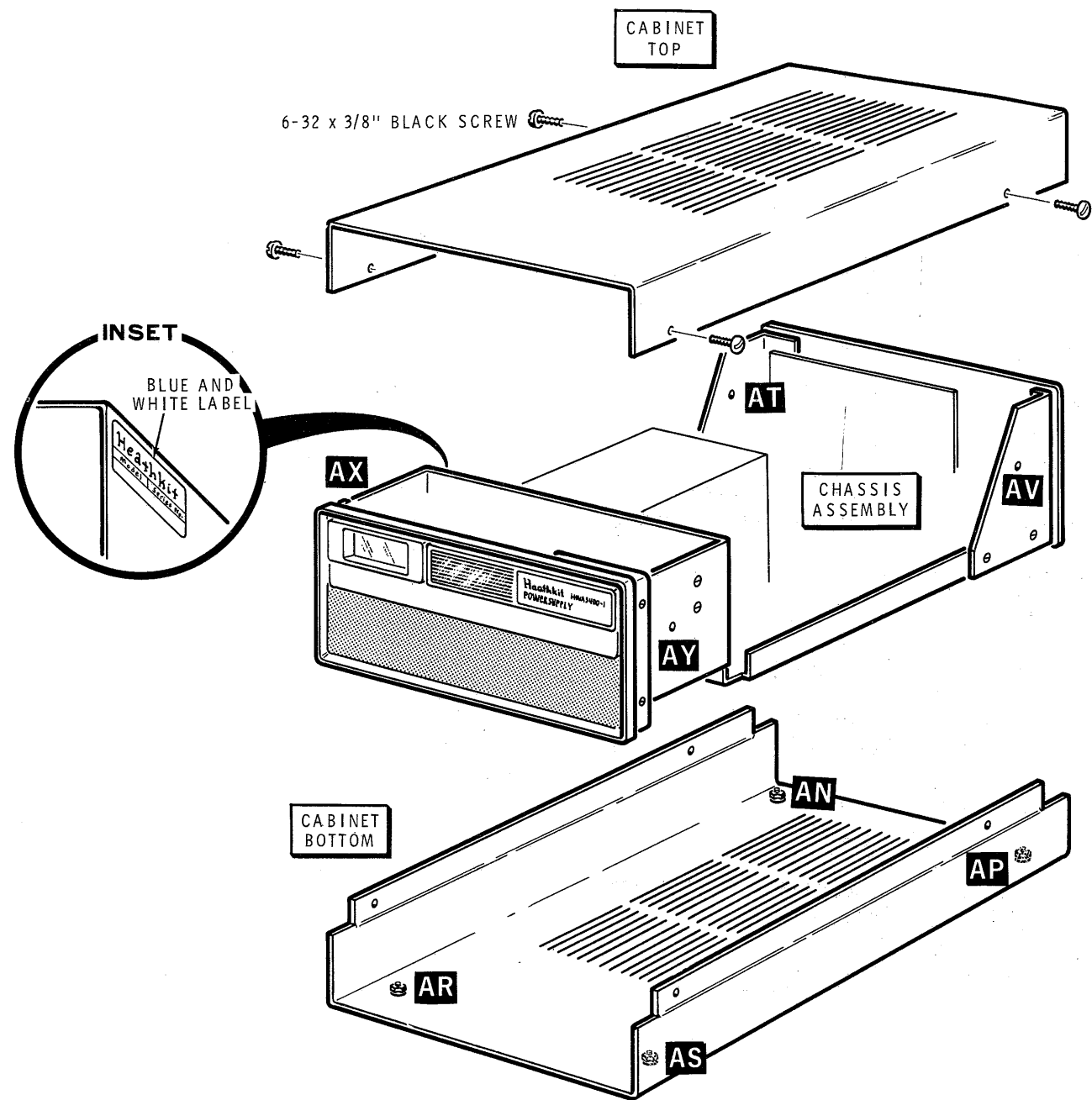


PICTORIAL 6-3



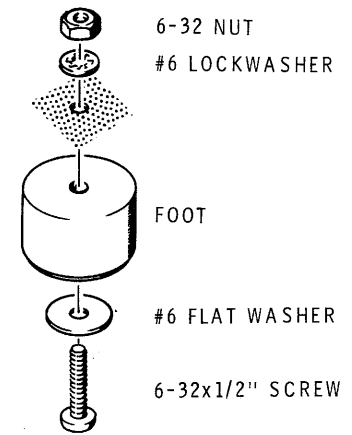
Page 6 of 6  
HWA-5400-1/595-2856  
591-4053

PICTORIAL 6-4

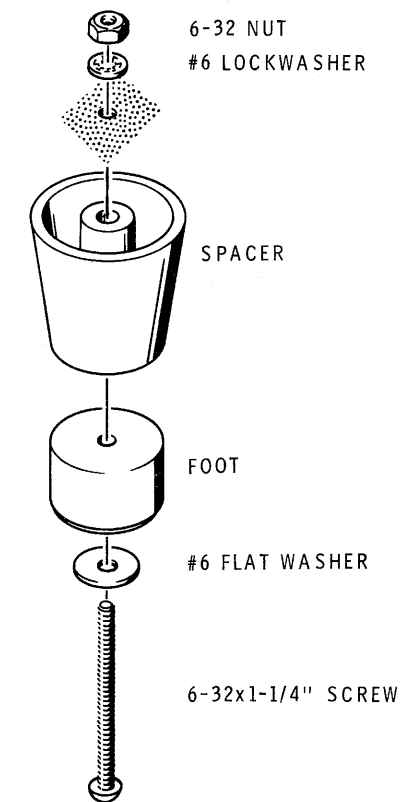


PICTORIAL 7-1

PART A

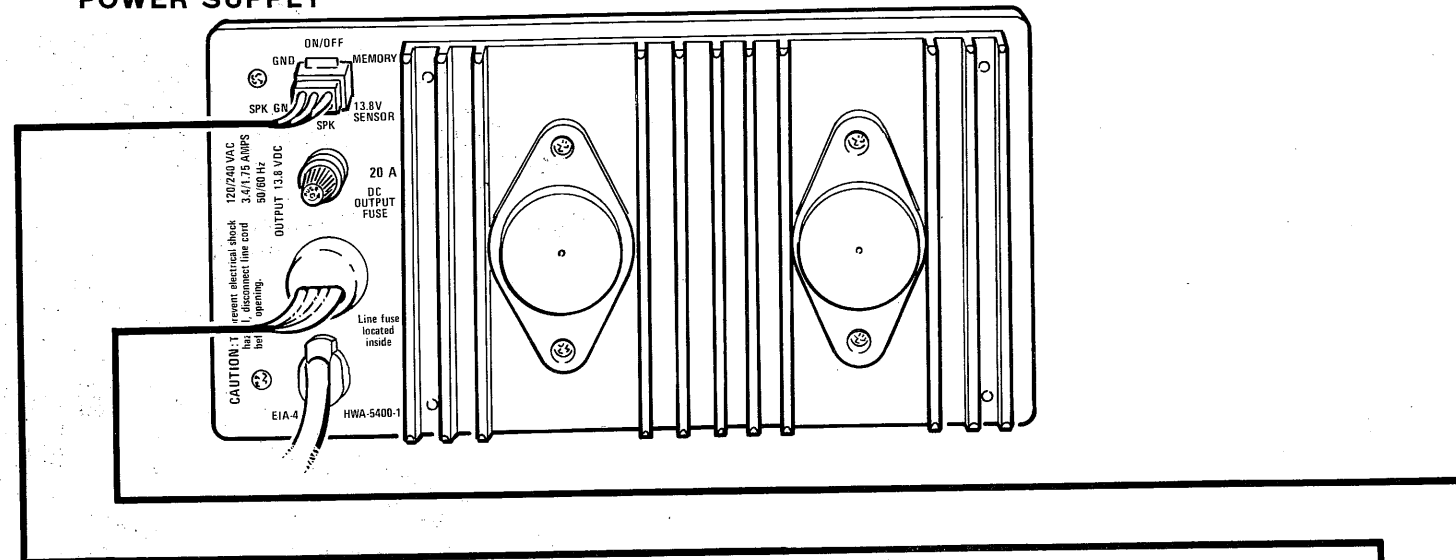


PART B

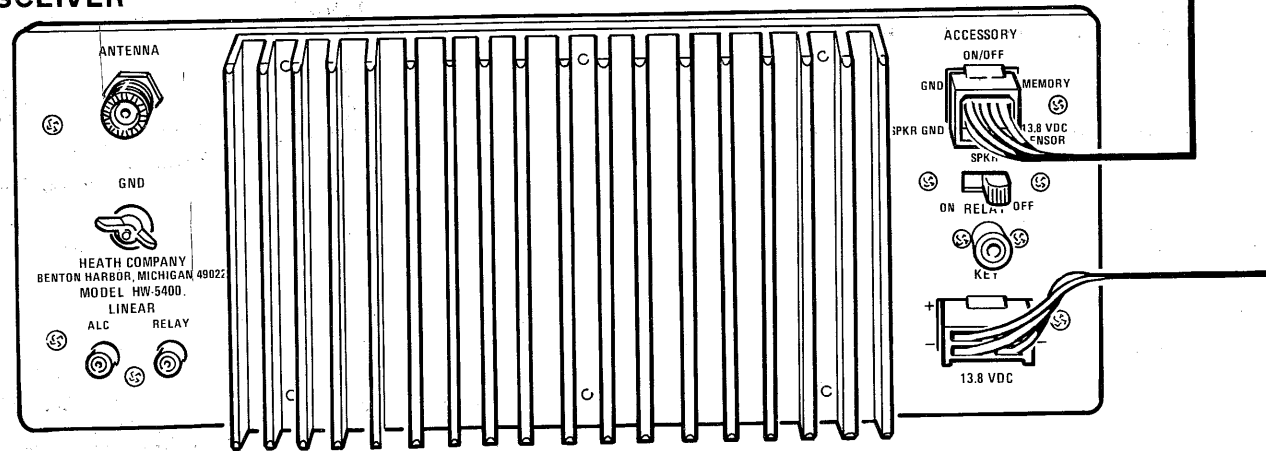


Detail 7-1A

**POWER SUPPLY**

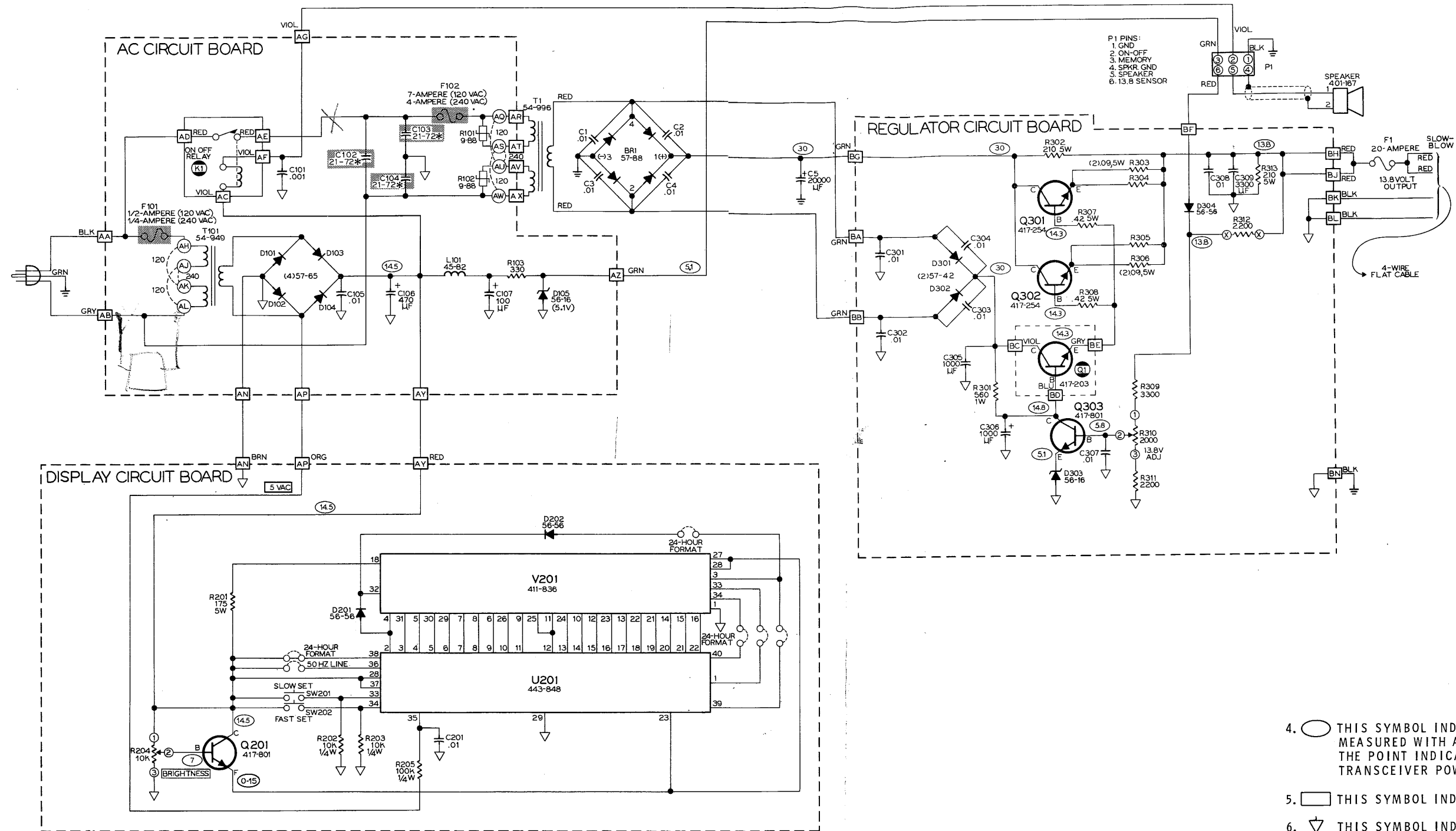


**TRANSCEIVER**



**PICTORIAL 8-1**





P1 PINS:  
 1. GND  
 2. ON-OFF  
 3. MEMORY  
 4. SPKR. GND  
 5. SPEAKER  
 6. 13.8 SENSOR

NOTES:

1. COMPONENT NUMBERS ARE IN THE FOLLOWING GROUPS.  
 1-99 CHASSIS MOUNTED PARTS.  
 101-199 PARTS MOUNTED ON THE AC CIRCUIT BOARD.  
 201-299 PARTS MOUNTED ON THE DISPLAY CIRCUIT BOARD.  
 301-399 PARTS MOUNTED ON THE REGULATOR CIRCUIT BOARD.
2. ALL RESISTORS ARE 1/2-WATT, 5% TOLERANCE UNLESS OTHERWISE NOTED. RESISTOR'S VALUES ARE IN OHMS (K=1000).
3. CAPACITORS LESS THAN 1 ARE IN  $\mu$ F (MICROFARADS). ALL OTHER CAPACITORS ARE IN PF (PICOFARADS) UNLESS OTHERWISE NOTED.

4. THIS SYMBOL INDICATES A POSITIVE DC VOLTAGE MEASURED WITH A HIGH IMPEDENCE VOLTMETER FROM THE POINT INDICATED TO CHASSIS GROUND WITH THE TRANSCEIVER POWER TURNED ON.
5. THIS SYMBOL INDICATES AN AC VOLTAGE.
6. THIS SYMBOL INDICATES A CIRCUIT BOARD GROUND.
7. THIS SYMBOL INDICATES A CHASSIS GROUND.
8. THIS SYMBOL INDICATES A WIRED CONNECTION TO A CIRCUIT BOARD.
9. THIS SYMBOL INDICATES A CHASSIS-MOUNTED COMPONENT.
10. \* USE ONLY HEATHKIT DIRECT REPLACEMENT PARTS, #21-72.
11. REFER TO "CIRCUIT BOARD X-RAY VIEWS" AND TO THE PICTORIALS WHERE COMPONENTS WERE MOUNTED ON THE CHASSIS FOR THE PHYSICAL LOCATION OF PARTS.

