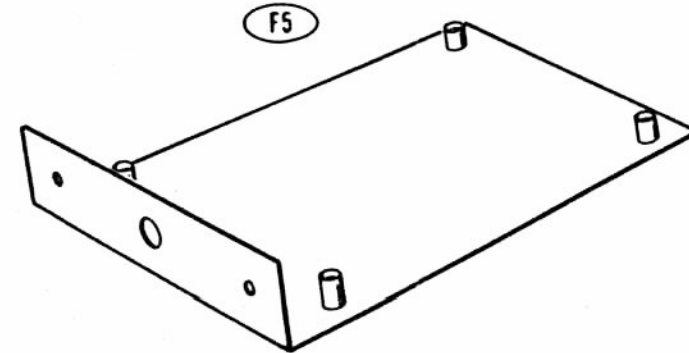
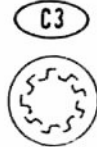
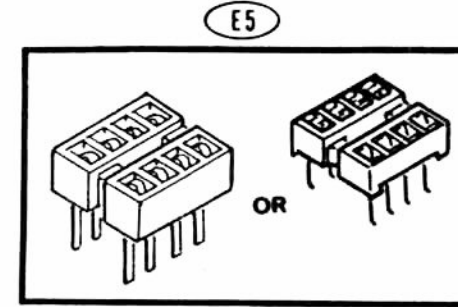
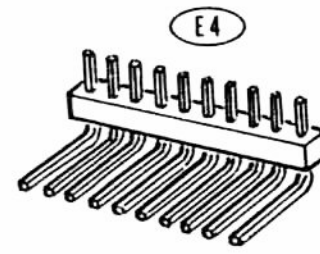
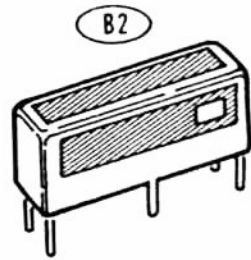
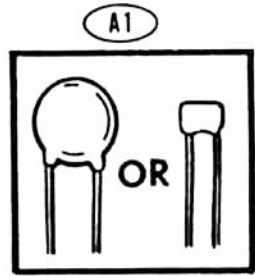


ILLUSTRATION BOOKLET

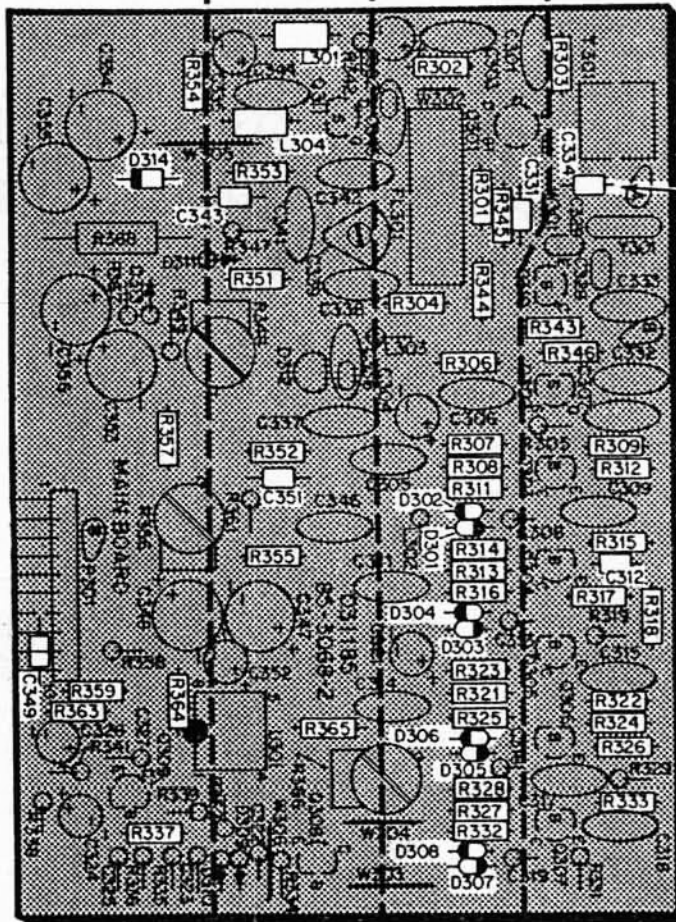
595-3437-01



Model HOA-5404-1

Copyright © 1985
Heath Company
All Rights Reserved
Printed in the United States of America

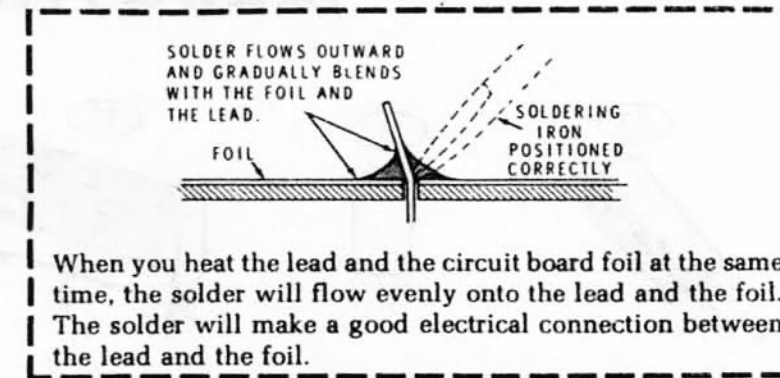
SECTION 1 | SECTION 2 | SECTION 3 | SECTION 4



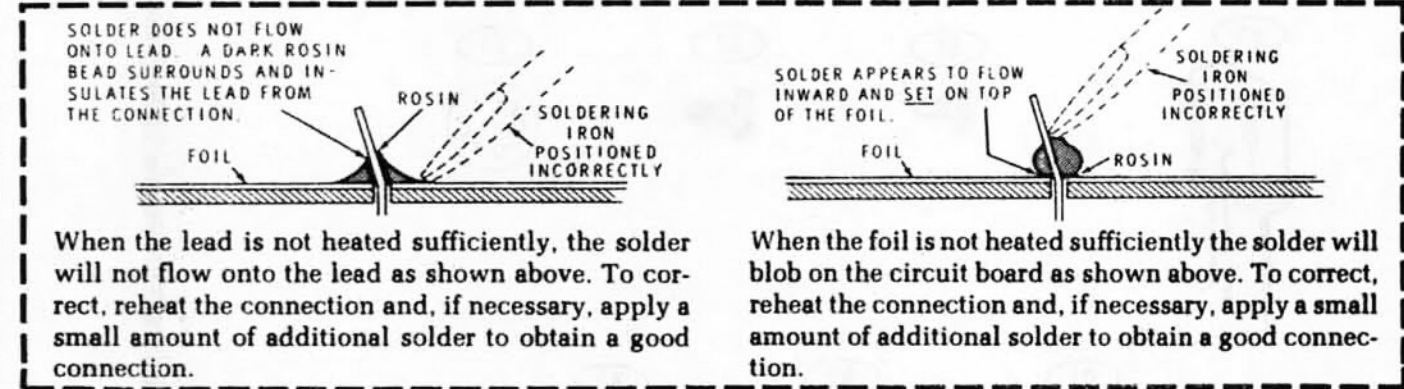
DO NOT INSTALL A CAPACITOR HERE

PICTORIAL 1-1

A GOOD SOLDER CONNECTION

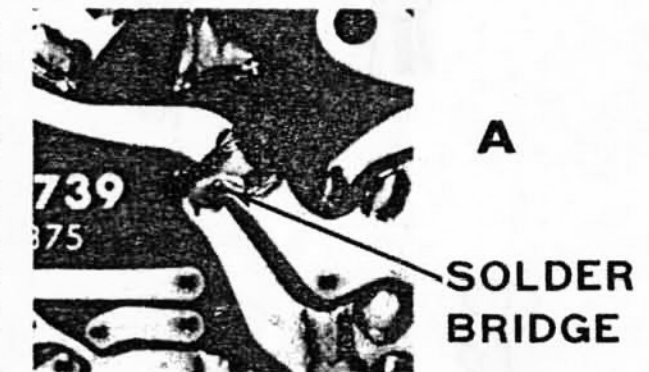


POOR SOLDER CONNECTIONS



SOLDER BRIDGES

A solder bridge between two adjacent foils is shown in photograph A. Photograph B shows how the connection should appear. A solder bridge may occur if you accidentally touch an adjacent previously soldered connection, if you use too much solder, or if you "drag" the soldering iron across other foils as you remove it from the connection. A good rule to follow is: always take a good look at the foil area around each lead before you solder it. Then, when you solder the connection, make sure the solder remains in this area and does not bridge to another foil. This is especially important when the foils are small and close together. NOTE: It is alright for solder to bridge two connections on the same foil.

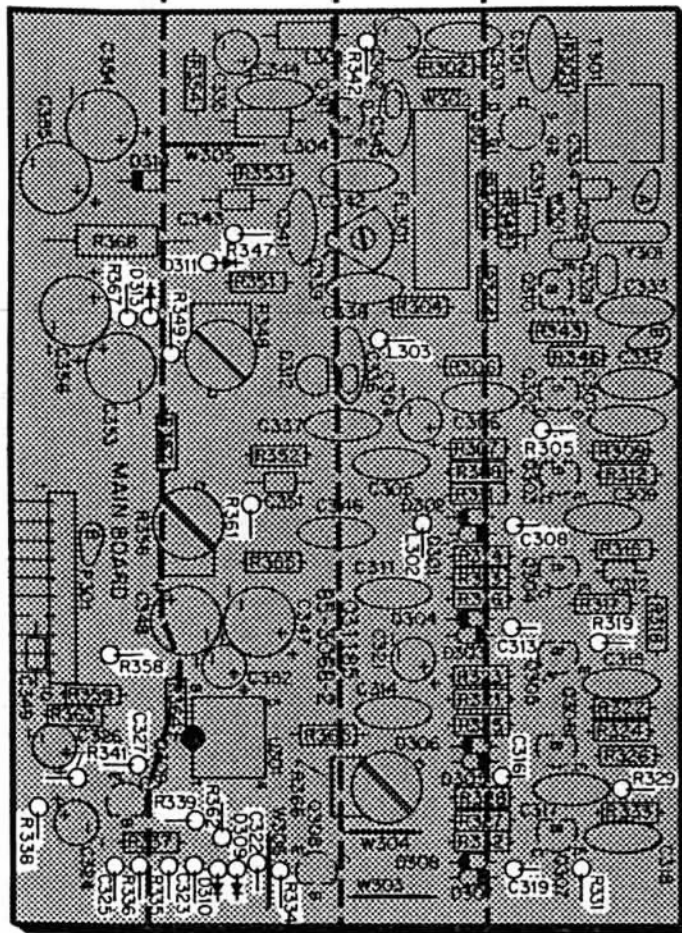


Use only enough solder to make a good connection, and lift the soldering iron straight up from the circuit board. If a solder bridge should develop, turn the circuit board foil-side-down and heat the solder between connections. The excess solder will run onto the tip of the soldering iron, and this will remove the solder bridge. NOTE: The foil side of most circuit boards has a coating on it called "solder resist." This is a protective insulation to help prevent solder bridges.



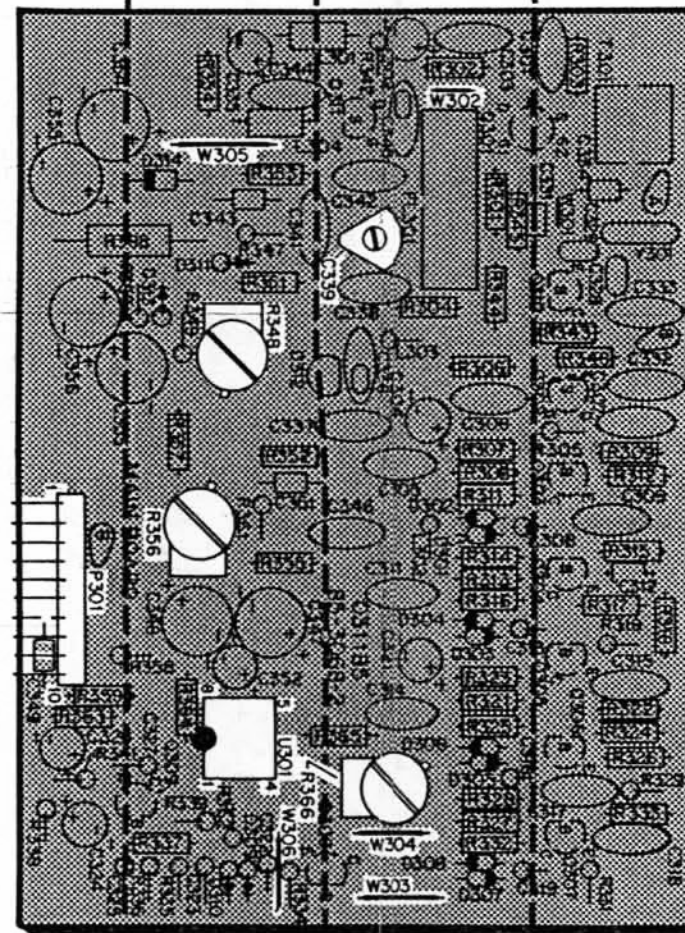
Detail 1-1A

SECTION 1 | SECTION 2 | SECTION 3 | SECTION 4

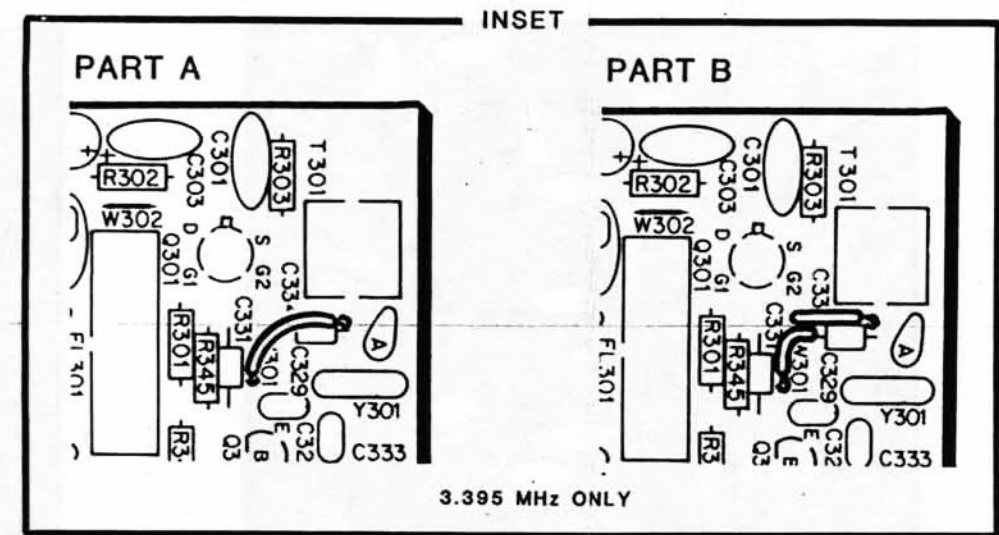


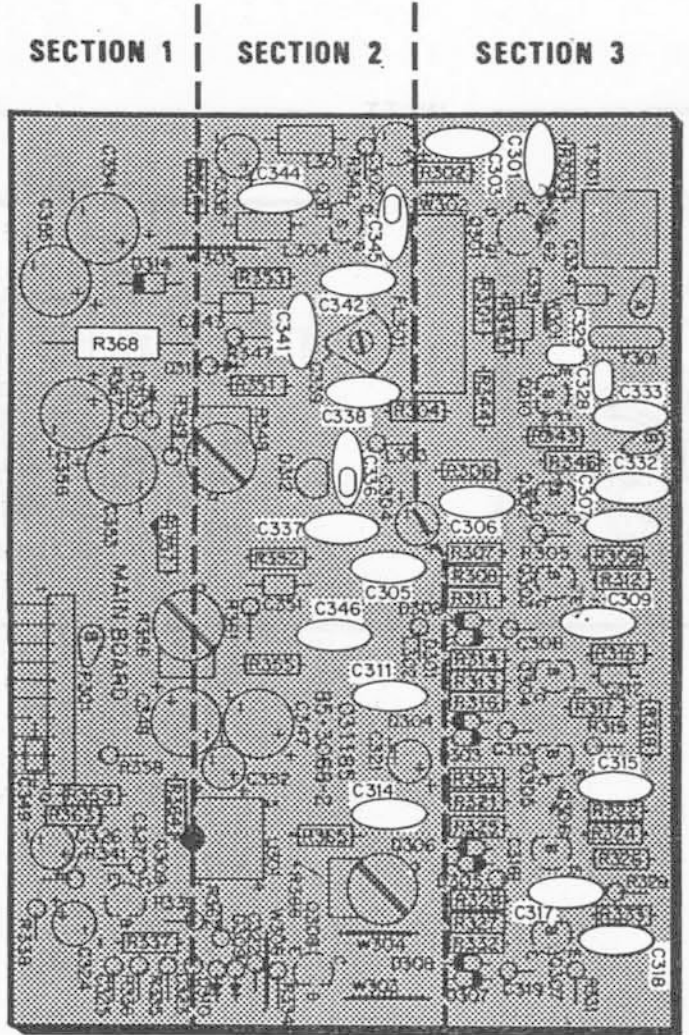
PICTORIAL 1-2

SECTION 1 | SECTION 2 | SECTION 3 | SECTION 4

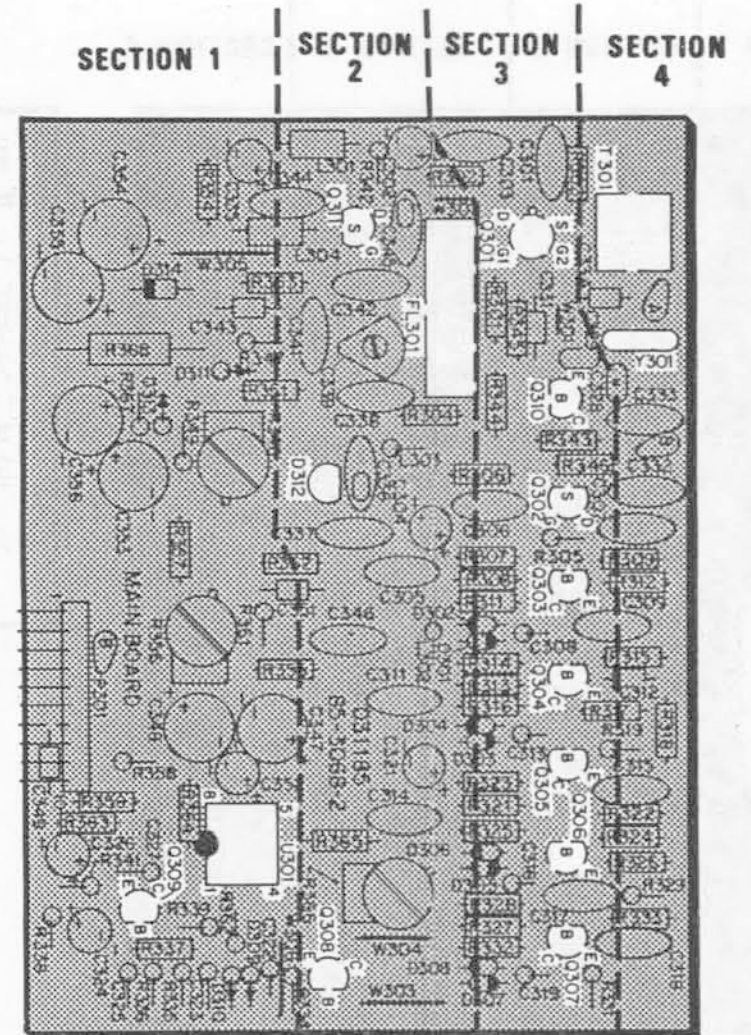


PICTORIAL 1-3

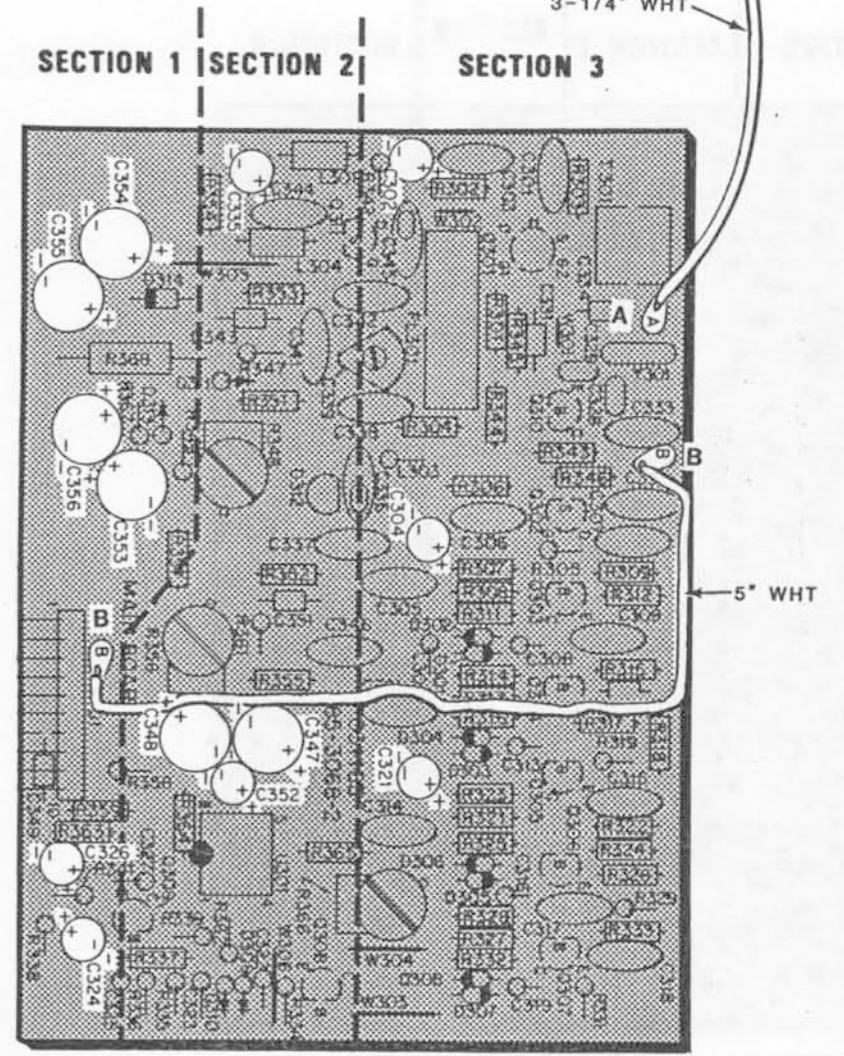




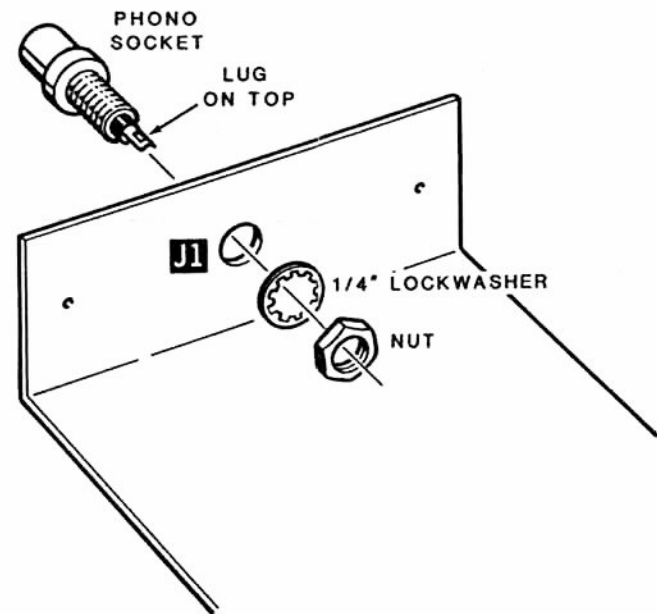
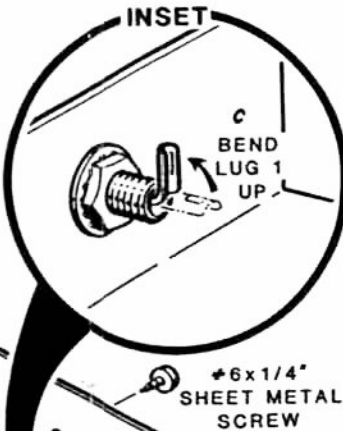
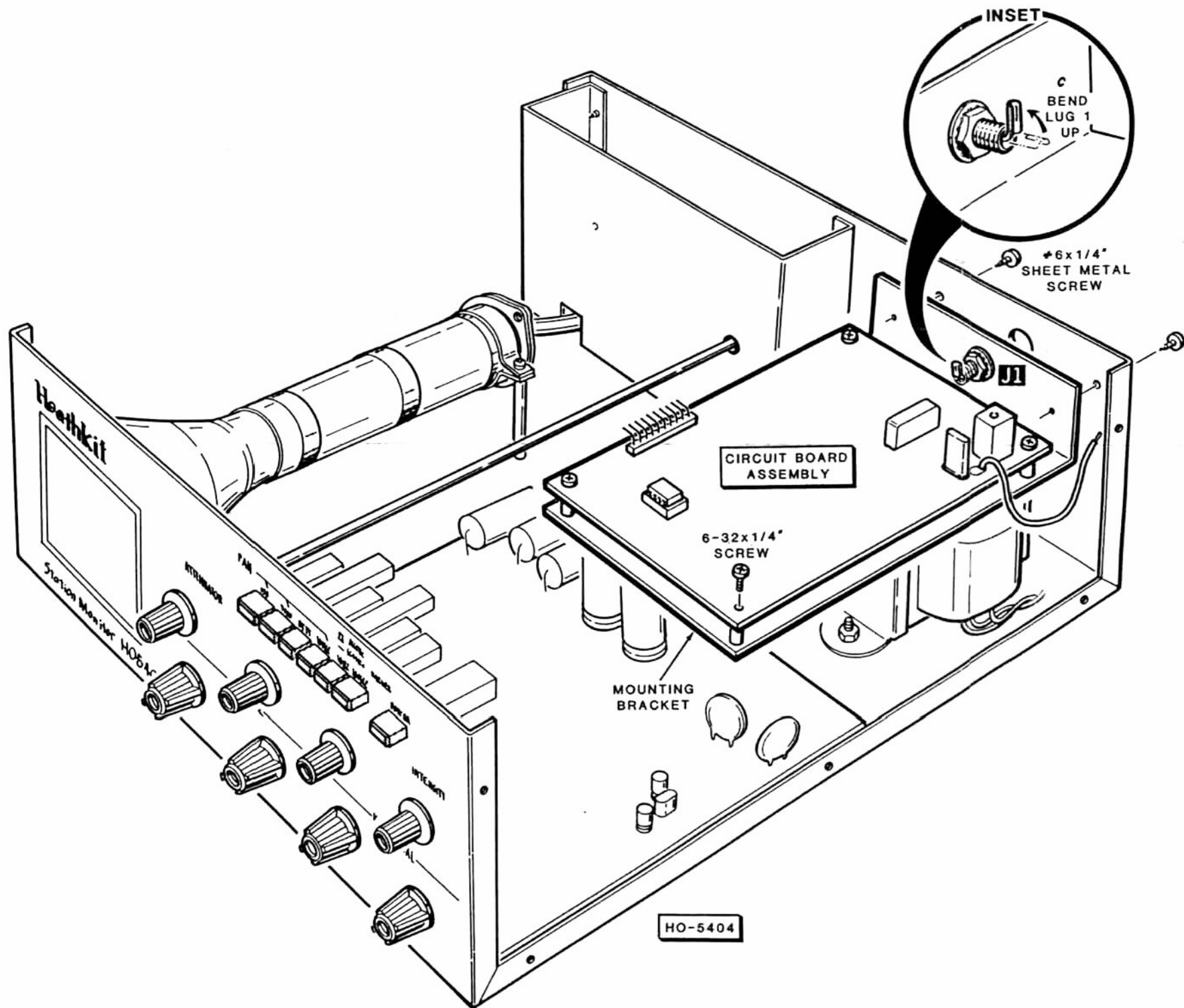
PICTORIAL 1-4



PICTORIAL 1-5



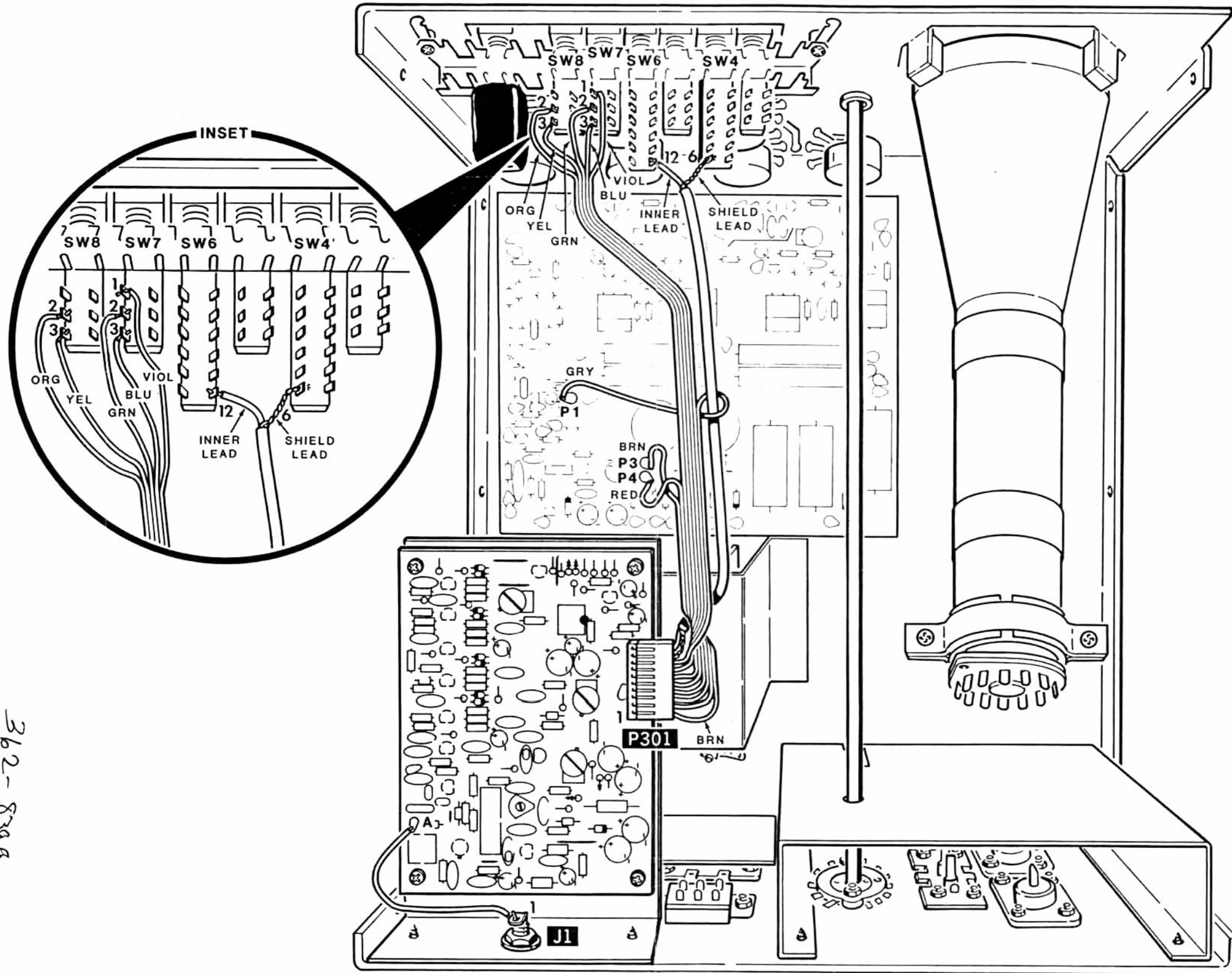
PICTORIAL 1-6



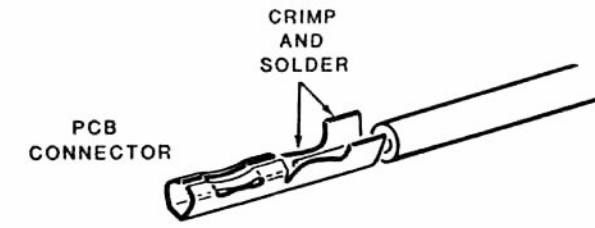
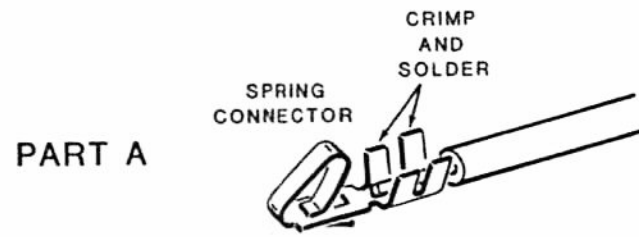
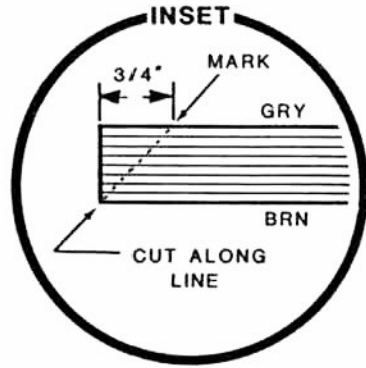
Detail 1-7A

PICTORIAL 1-7

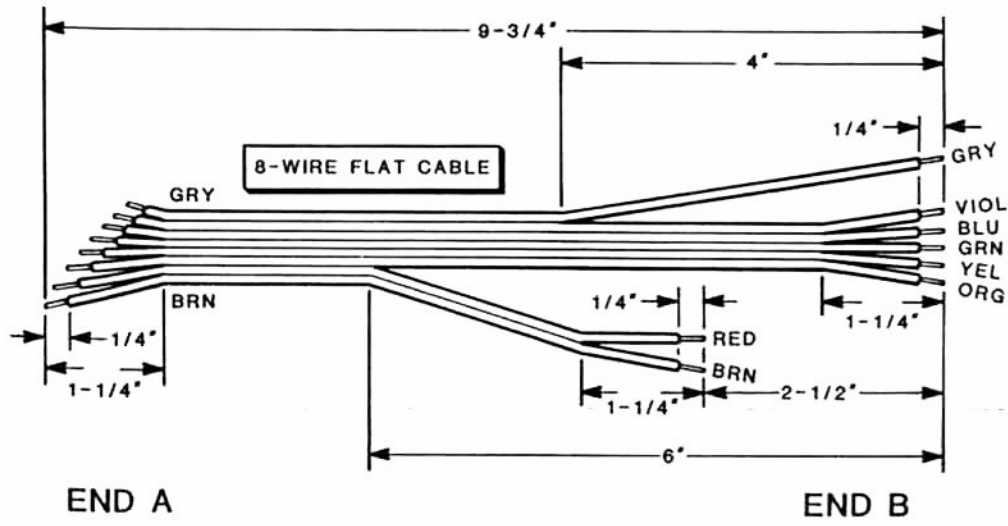
362-8399



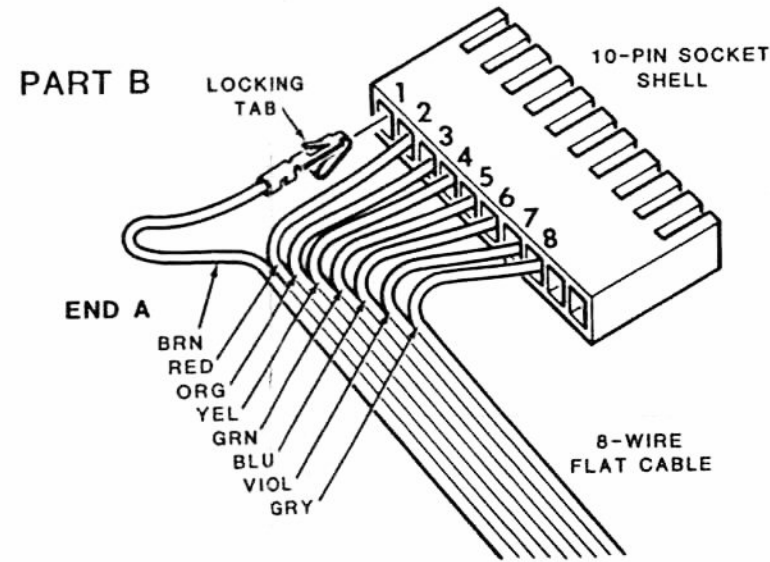
PICTORIAL 1-8



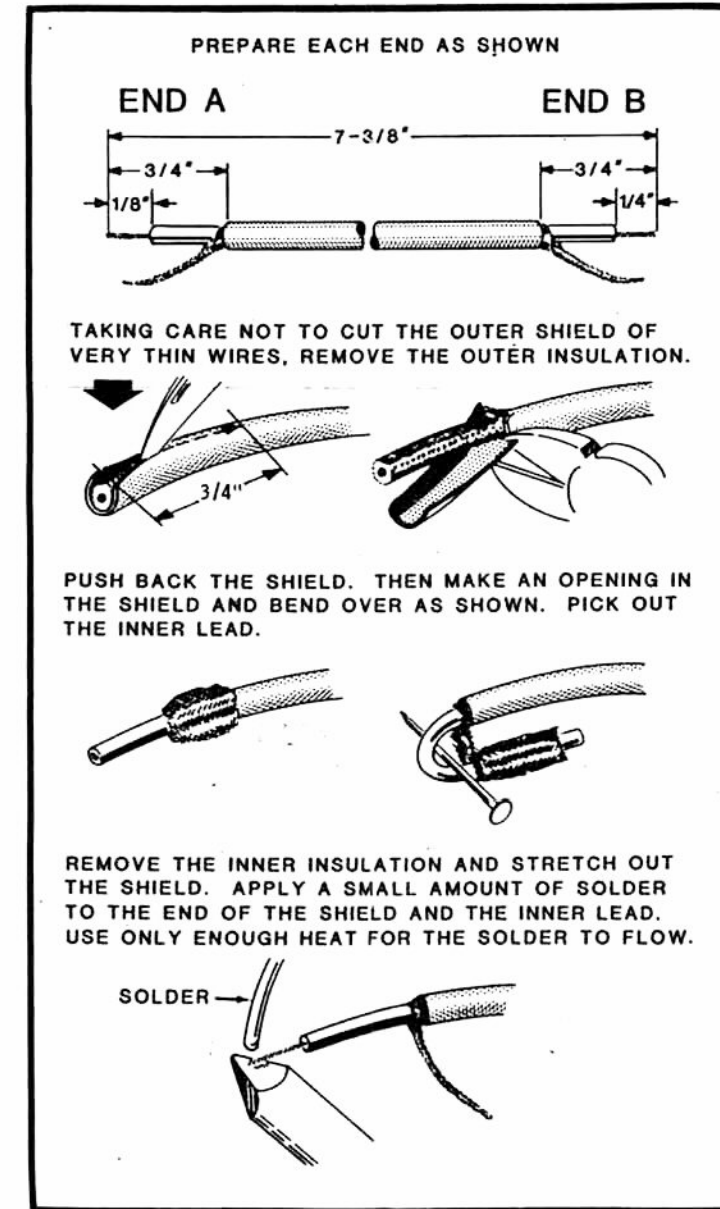
Detail 1-8C



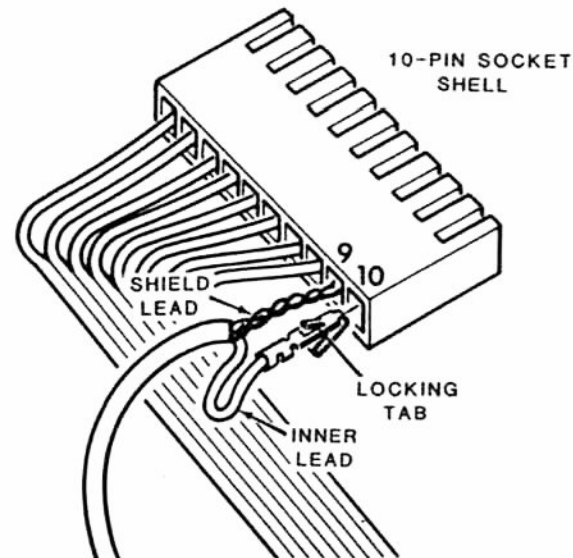
Detail 1-8A



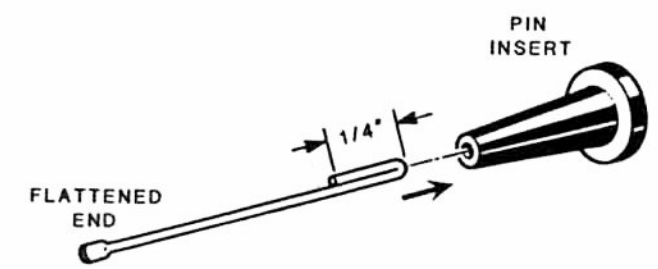
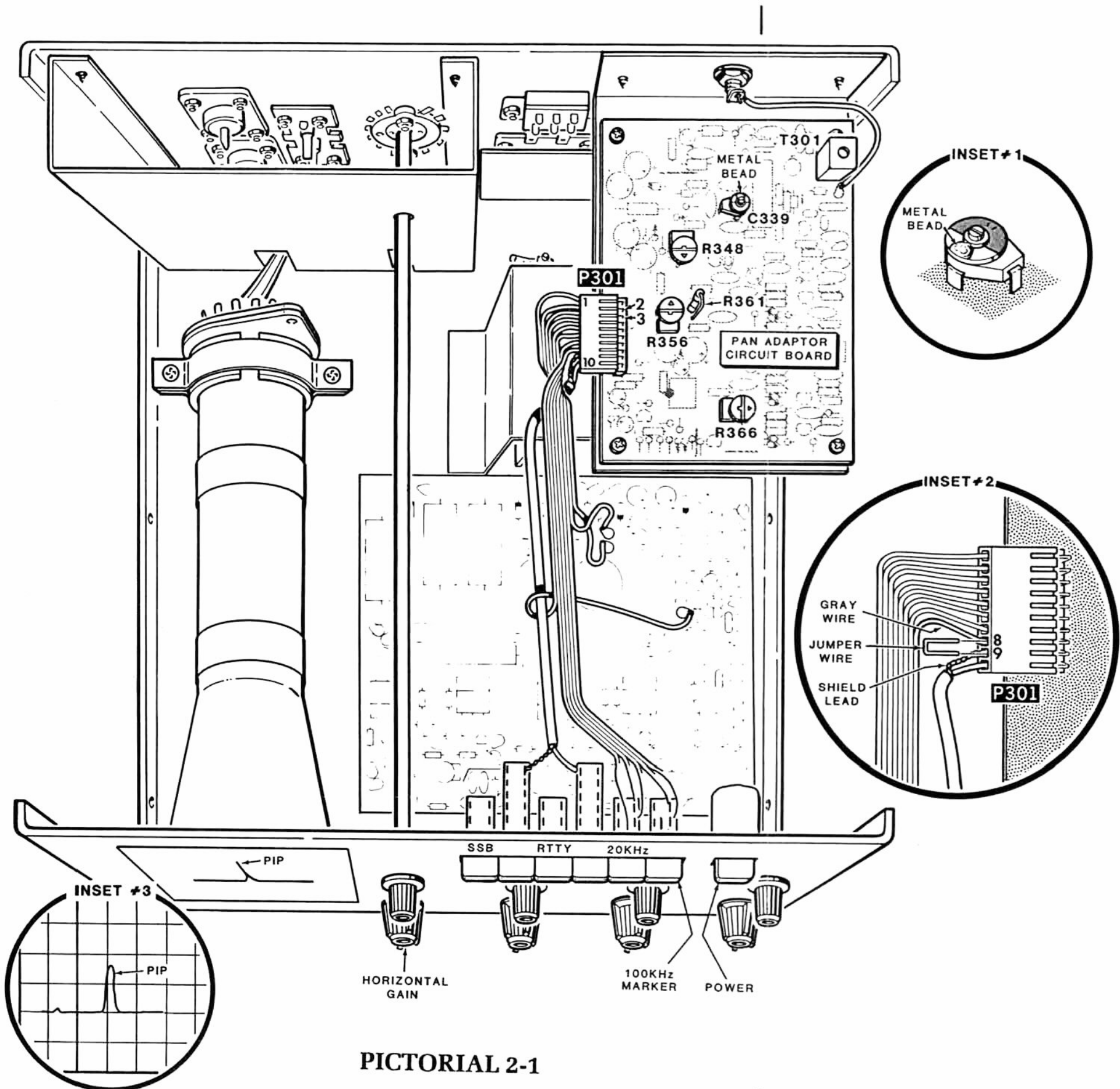
Detail 1-8B



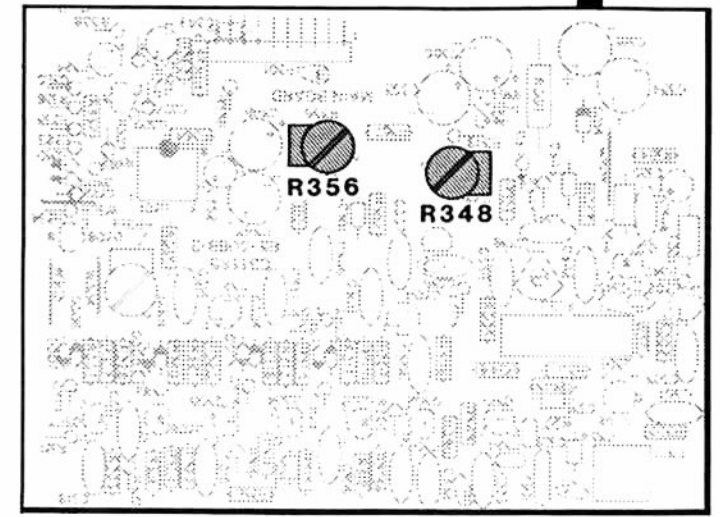
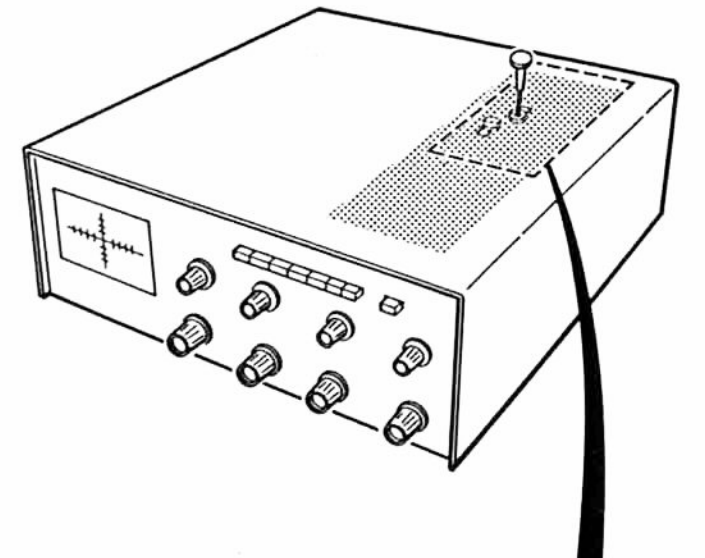
Detail 1-8D



Detail 1-8E

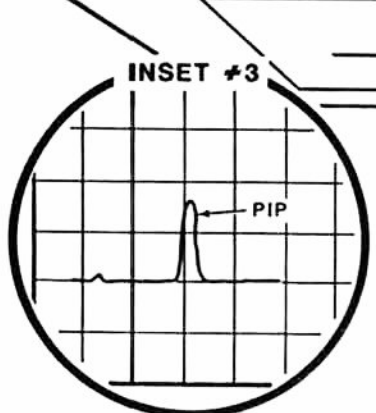
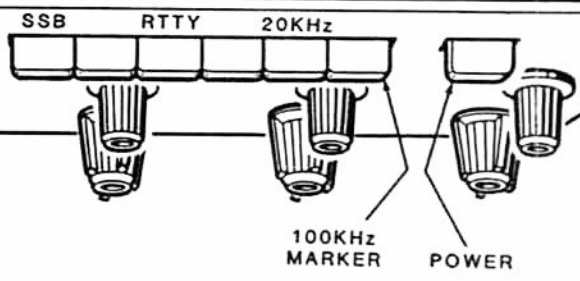


Detail 2-1A

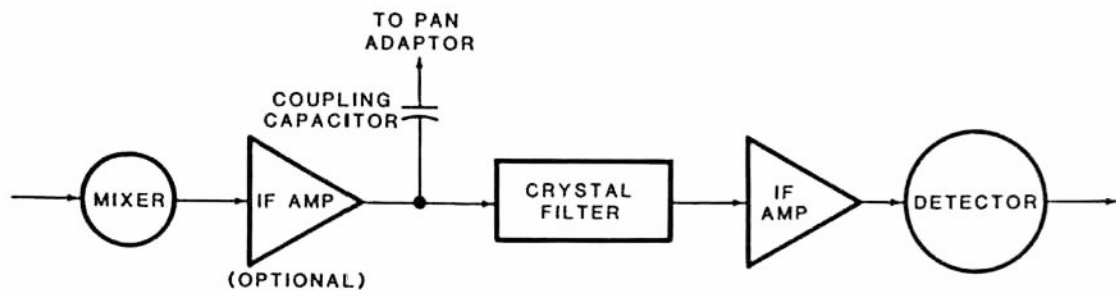


PICTORIAL 2-2

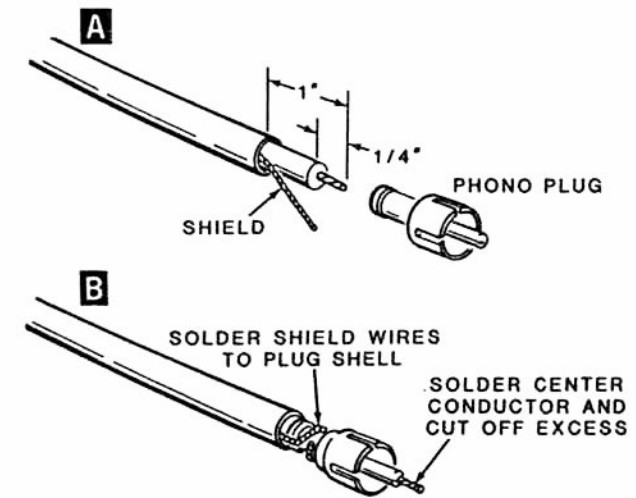
PICTORIAL 2-1



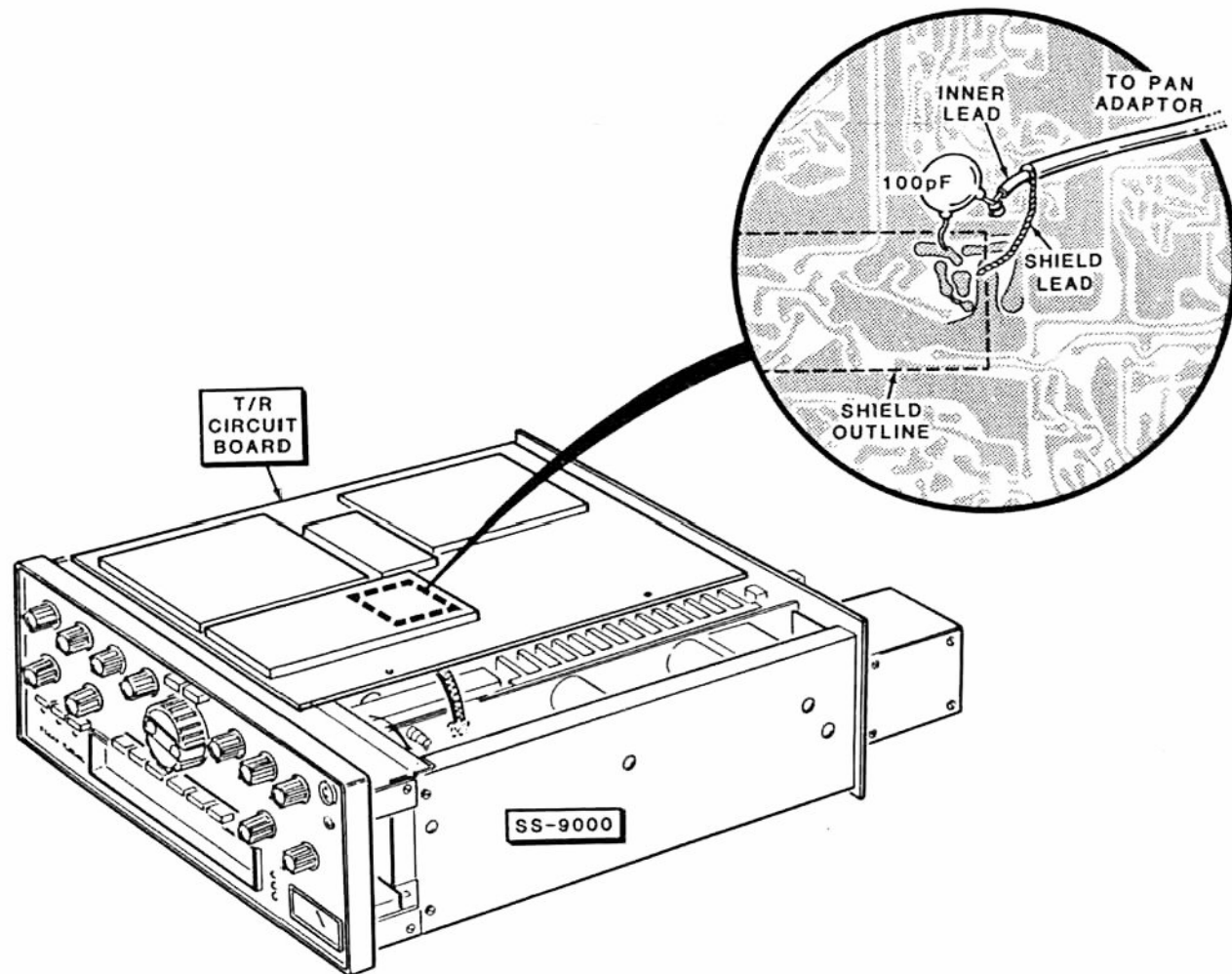
HORIZONTAL GAIN
 100KHz MARKER
 POWER



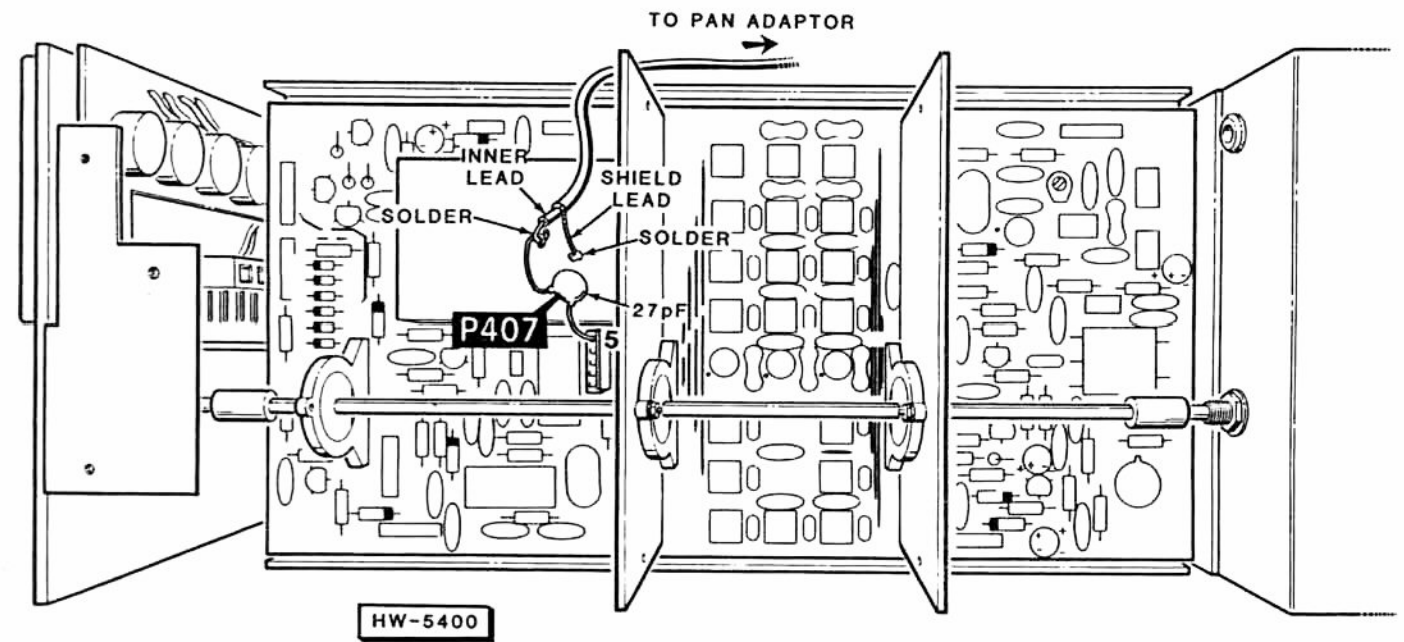
PICTORIAL 3-1



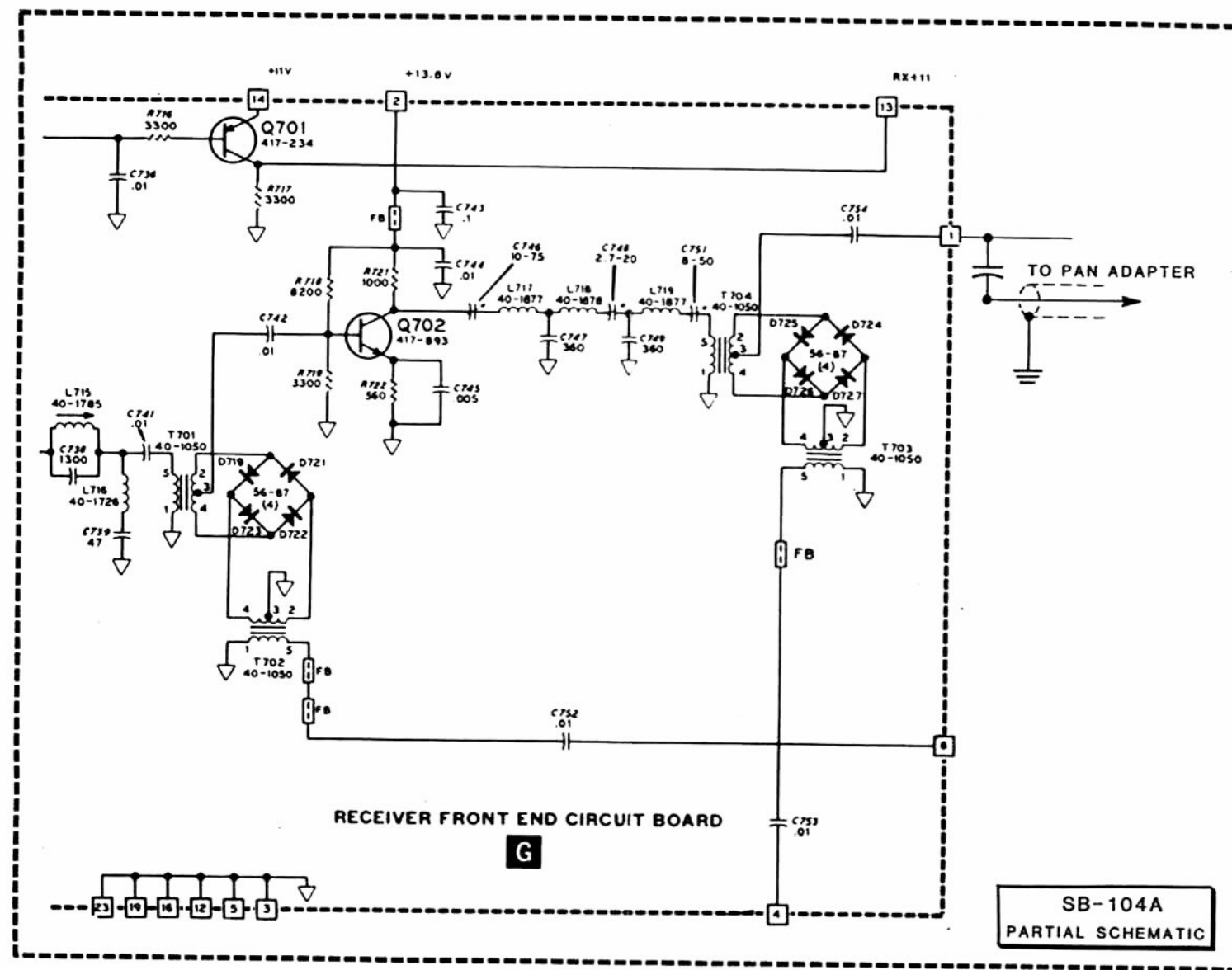
Detail 3-1 A



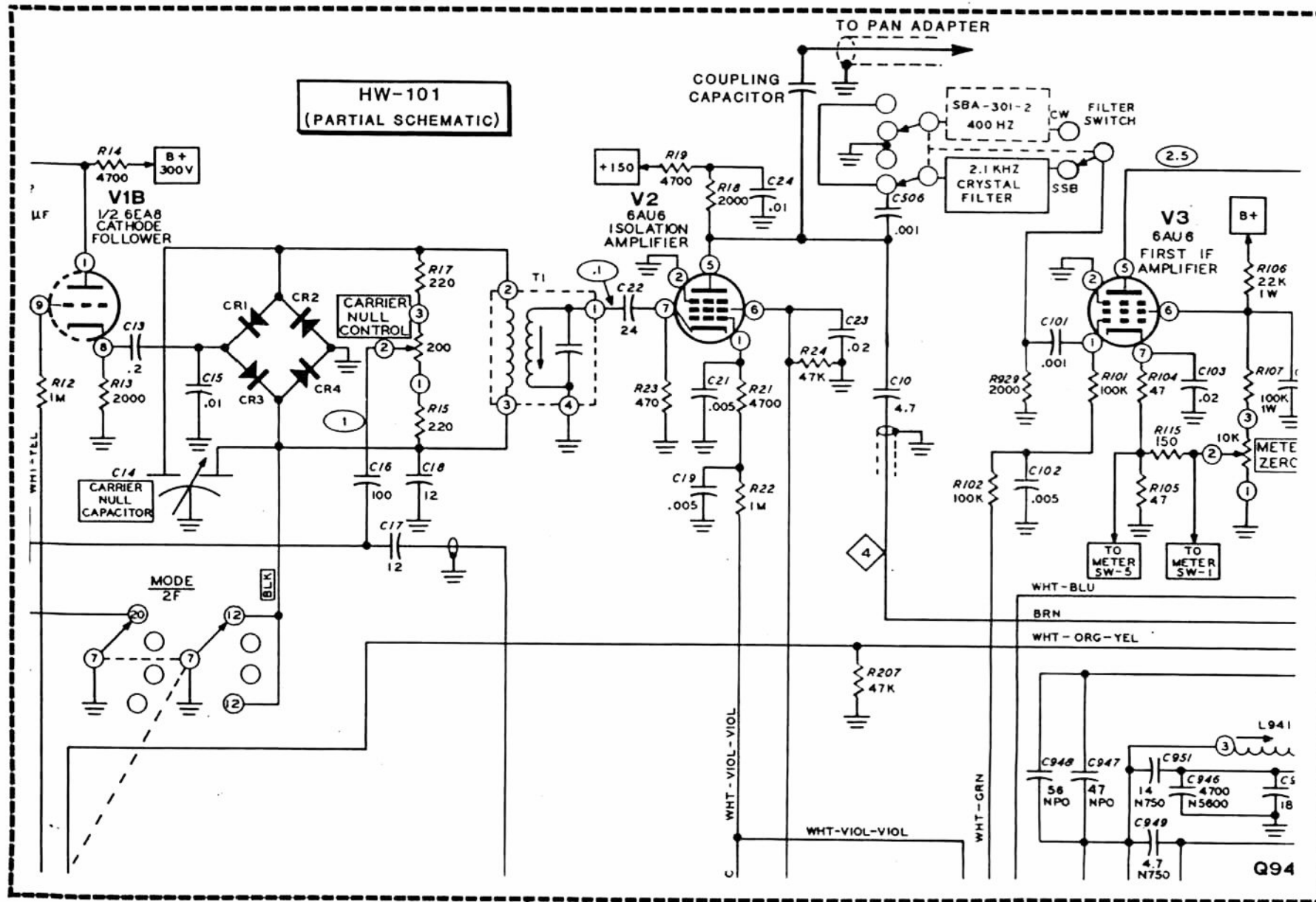
PICTORIAL 3-2



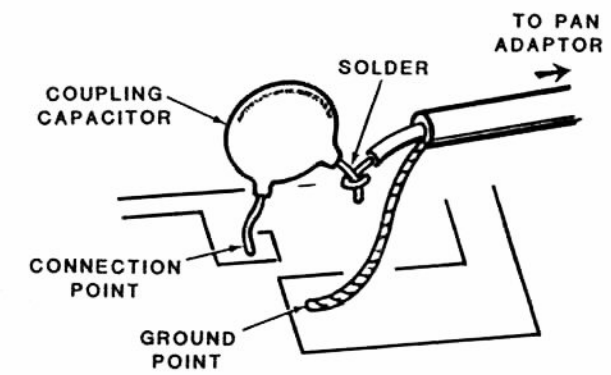
PICTORIAL 3-3



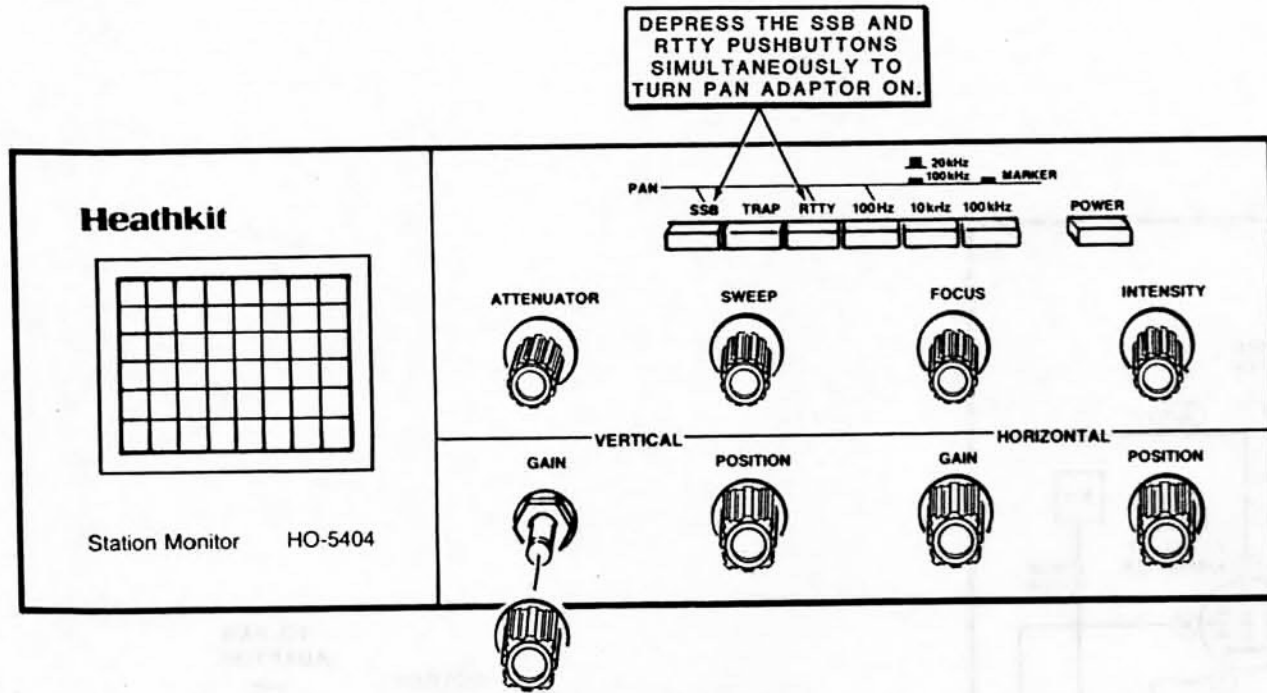
PICTORIAL 3-5



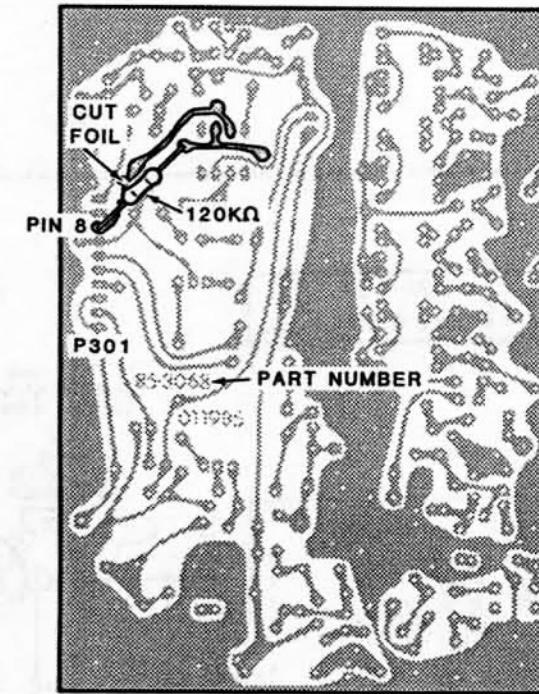
PICTORIAL 3-6



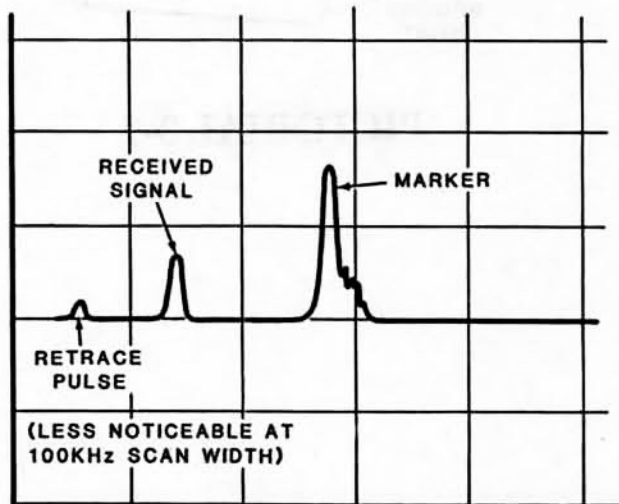
PICTORIAL 3-7



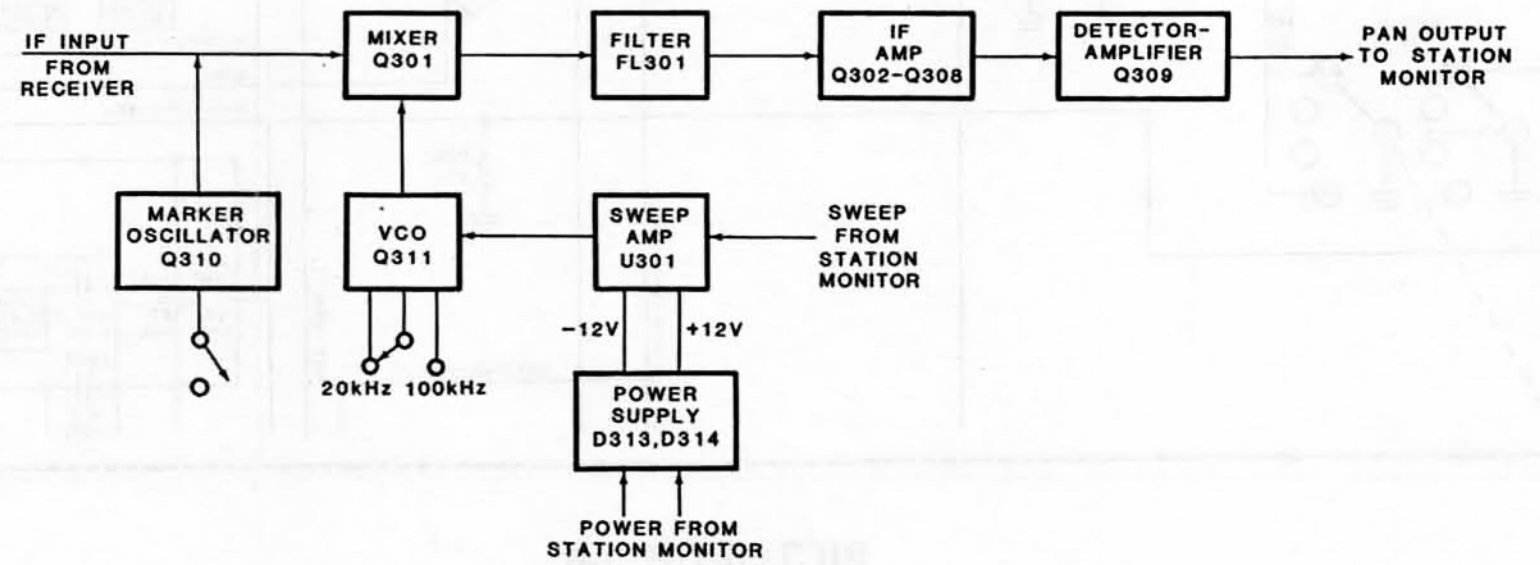
PICTORIAL 4-1



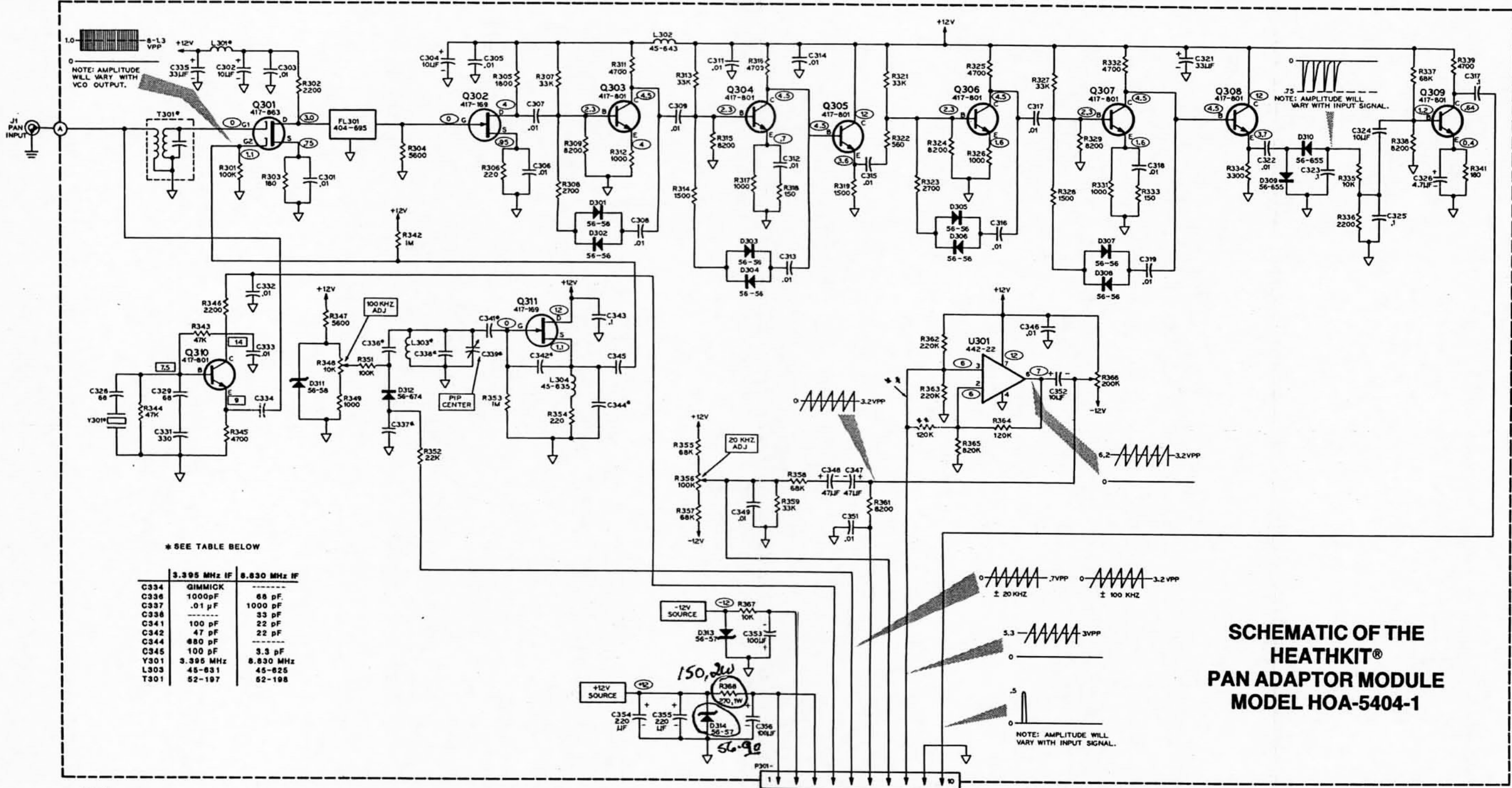
PICTORIAL 4-3



PICTORIAL 4-2



BLOCK DIAGRAM



* SEE TABLE BELOW

	3.395 MHz IF	8.830 MHz IF
C334	GIMMICK	
C336	1000 pF	68 pF
C337	.01 μF	1000 pF
C338		33 pF
C341	100 pF	22 pF
C342	47 pF	22 pF
C344	880 pF	
C345	100 pF	3.3 pF
Y301	3.395 MHz	8.830 MHz
L303	45-831	45-825
T301	52-197	52-198

SCHEMATIC OF THE HEATHKIT® PAN ADAPTOR MODULE MODEL HOA-5404-1

NOTES:

- All resistors are rated at 1/4-watt and have a tolerance of 5% unless otherwise noted. Resistor values are in ohms (k = 1000, M = 1,000,000)
- Capacitor values less than 1 are in μF (microfarads). Values greater than 1 are in pF (picofarads) unless otherwise noted.
- This symbol indicates a circuit board ground.
- This symbol indicates a chassis ground.
- This symbol indicates a wire connection to the circuit board.
- This symbol indicates a plug.
- This symbol indicates a DC voltage taken from the point indicated to chassis ground.
- This symbol indicates a DC voltage taken from the point indicated to chassis ground with the Marker pushbutton depressed (on).
- The oscilloscope Time Base was set for 50 ms to obtain the indicated waveforms. The actual frequency will vary with the sweep control setting.

**CUT FOIL AND INSTALL 120KΩ RESISTOR TO REVERSE SCREEN DISPLAY ACTION.

